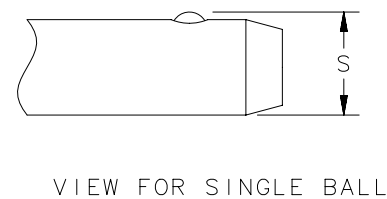
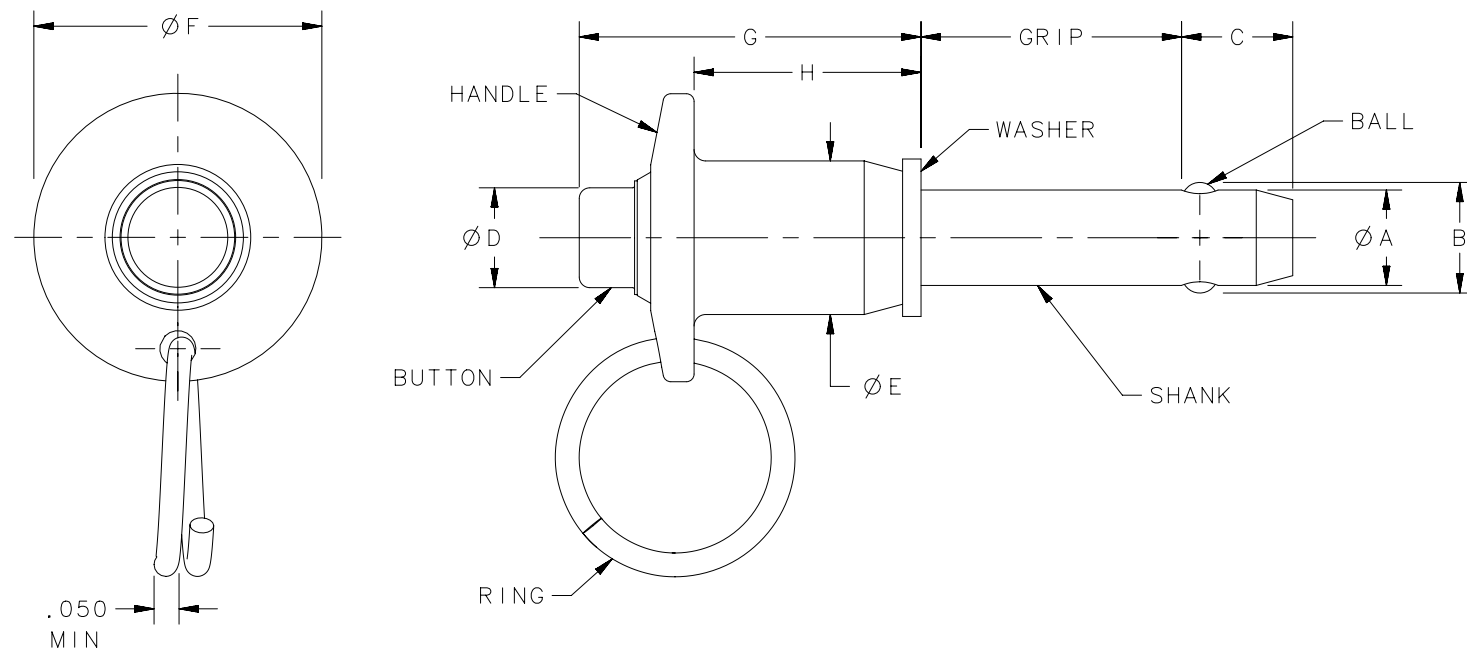
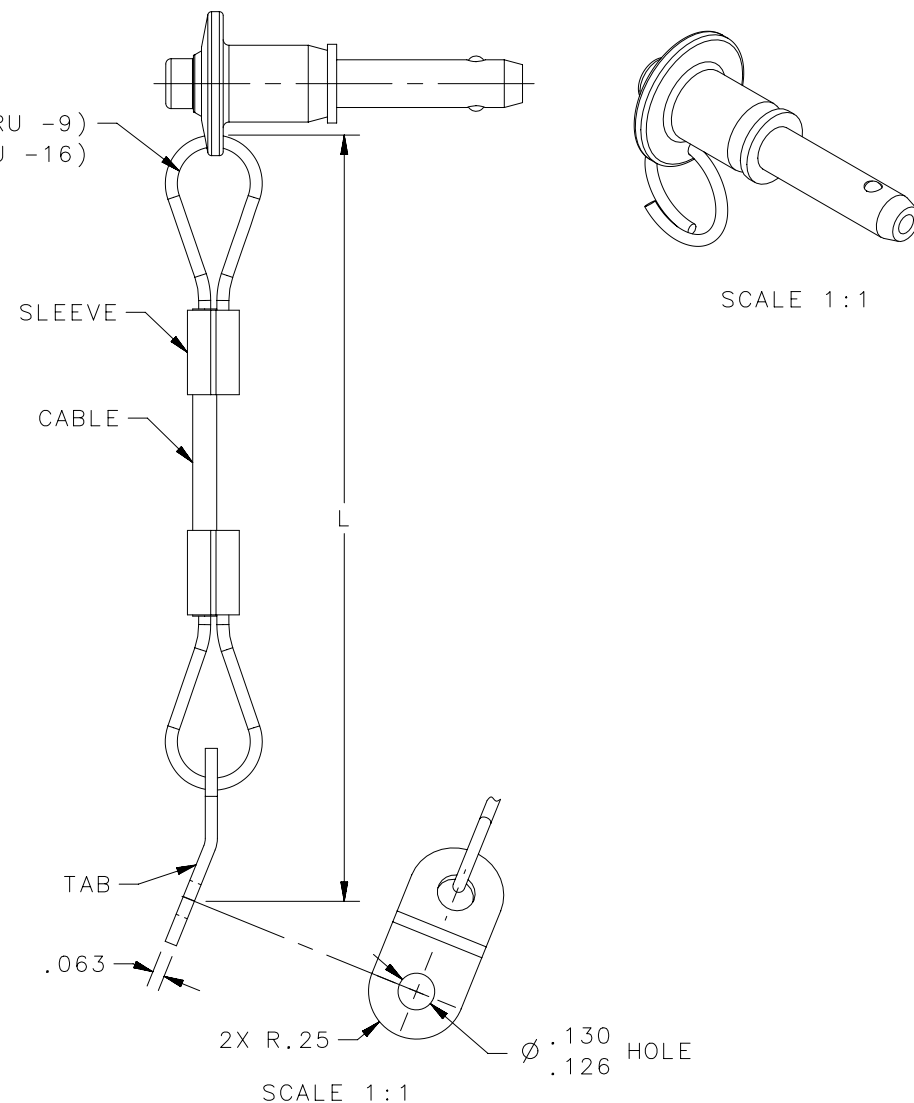


PIN DASH NO	Ø A +.0000 -.0015	B	C +.000 -.030	Ø D	Ø E	Ø F	G MAX	H MIN	S
3	0.1885	0.225-0.215	0.280	0.310-0.250	0.440-0.310	0.800-0.720	0.830	0.480	0.204-0.195
4	0.2485	0.292-0.284	0.290	0.310-0.250	0.440-0.310	0.800-0.720	0.890	0.500	0.267-0.260
5	0.3110	0.377-0.370	0.330	0.310-0.250	0.490-0.410	1.135-0.810	0.930	0.630	0.340-0.332
6	0.3735	0.443-0.435	0.365	0.390-0.300	0.570-0.450	1.135-0.875	1.040	0.650	0.404-0.396
7	0.4360	0.512-0.504	0.380	0.390-0.300	0.625-0.550	1.400-0.940	1.160	0.800	0.472-0.465
8	0.4985	0.598-0.589	0.460	0.565-0.435	0.725-0.600	1.400-1.300	1.190	0.800	0.545-0.536
9	0.5610	0.671-0.661	0.510	0.565-0.435	0.765-0.680	1.600-1.340	1.410	0.980	0.615-0.598
10	0.6235	0.753-0.745	0.580	0.580-0.480	0.865-0.750	1.600-1.530	1.500	0.980	0.683-0.675
12	0.7485	0.892-0.882	0.670	0.700-0.570	1.000-0.865	1.900-1.790	1.680	1.150	0.813-0.805
14	0.8735	1.048-1.041	0.760	0.840-0.700	1.130-0.980	2.200-2.120	1.985	1.280	0.957-0.947
16	0.9985	1.222-1.214	0.890	0.950-0.750	1.250-1.175	2.200-2.120	2.140	1.500	1.107-1.097

REVISION HISTORY			
REV	DATE	BY	DESCRIPTION
C	09JAN2018	CMS/JW	PRN: P2018-0079



R.19 (-3 THRU -9)
R.23 (-10 THRU -16)



NOTES:
1. EXAMPLE OF PART NUMBER FOR PIN ASS'Y:

LG-4SB500F-750L12C

LOCKWELL SINGLE ACTING PIN

SHANK DIA. IN 1/16THS (1/4 DIA) PIN DASH NO.

SHANK MAT'L: -C FOR CRES STEEL -S FOR ALLOY STEEL

HANDLE STYLE:

B

BA

GRIP IN THOUSANDTH INCH INCREMENTS

TAB MAT'L:

C FOR CRES

A FOR AL ALLOY

LANYARD LENGTH IN INCHES (OMIT IF NO LANYARD REQUIRED)

LONGER NON-STANDARD

"C" DIM WITH DASH "-"

IN THOUSANDTHS INCH INCREMENTS

EXAMPLE: "-750"

(OMIT FOR STD "C" DIM)

"F"=4 BALL, "S"=SINGLE BALL,

"_" FOR EXTRA LENGTH 2 BALL,

(OMIT FOR STD. LENGTH 2 BALL)

2. MATERIAL AND FINISH:

HANDLE, B TYPE: STAINLESS STEEL, PASSIVATED, BA TYPE: ALUMINIUM, BLACK ANODIZED, TAB: STAINLESS STEEL, PASSIVATED, AL ALLOY, CABLE: STAINLESS STEEL, VINYL COATED (GREEN), ALL OTHER COMPONENTS: CARBON STEEL OR ALLOY STEEL, CADMIUM PLATED OR ALUMINIUM ALLOY (STAINLESS STEEL VERSION) STAINLESS STEEL, PASSIVATED.

3. WASHER USED WITH AL ALLOY HANDLES ON PIN DASH NO'S -3 THRU -16. NO WASHER USED WITH STEEL OR CRES HANDLES.

-	A/R	TAB	-	-
-	A/R	SLEEVE	-	-
-	A/R	CABLE	-	-
-	A/R	BALL	-	-
-	1	SPRING	-	-
-	A/R	WASHER	SEE NOTE 3	-
-	1	RING	-	-
-	1	BUTTON	-	-
-	1	SPINDLE	-	-
-	1	SHANK	-	-
-	1	HANDLE	-	-
SEE NOTE 1	1	PIN ASSEMBLY	SEE NOTE 2	SEE NOTE 2
PART NUMBER	QTY	TYPE OF COMPONENT	MATERIAL	FINISH

THIRD ANGLE PROJECTION			
INCHES [MM]			
SURFACE AREA		TOLERANCES UNLESS OTHERWISE NOTED	
VOLUME		ALL DIMENSIONS WITHOUT TOLERANCES ARE FOR REFERENCE ONLY.	
PROPRIETARY ITEM EXCEPT FOR USES EXPRESSLY GRANTED IN WRITING. INFORMATION DISCLOSED HEREON IS CONFIDENTIAL AND ALL RIGHTS, PATENT AND OTHERWISE, ARE RESERVED BY SOUTHCO, INC.		DESCRIPTION ASSEMBLY LOCKWELL PIN, B HANDLE SINGLE ACTING	
SIZE B	SYSTEM NX	DWG NO. J-LG-3THRU-16-B	
PER ASME Y14.5M-1994		DRAWN BY DMS/YGC	DATE 10SEP2013
		SCALE 2:1	SHEET 1 OF 1