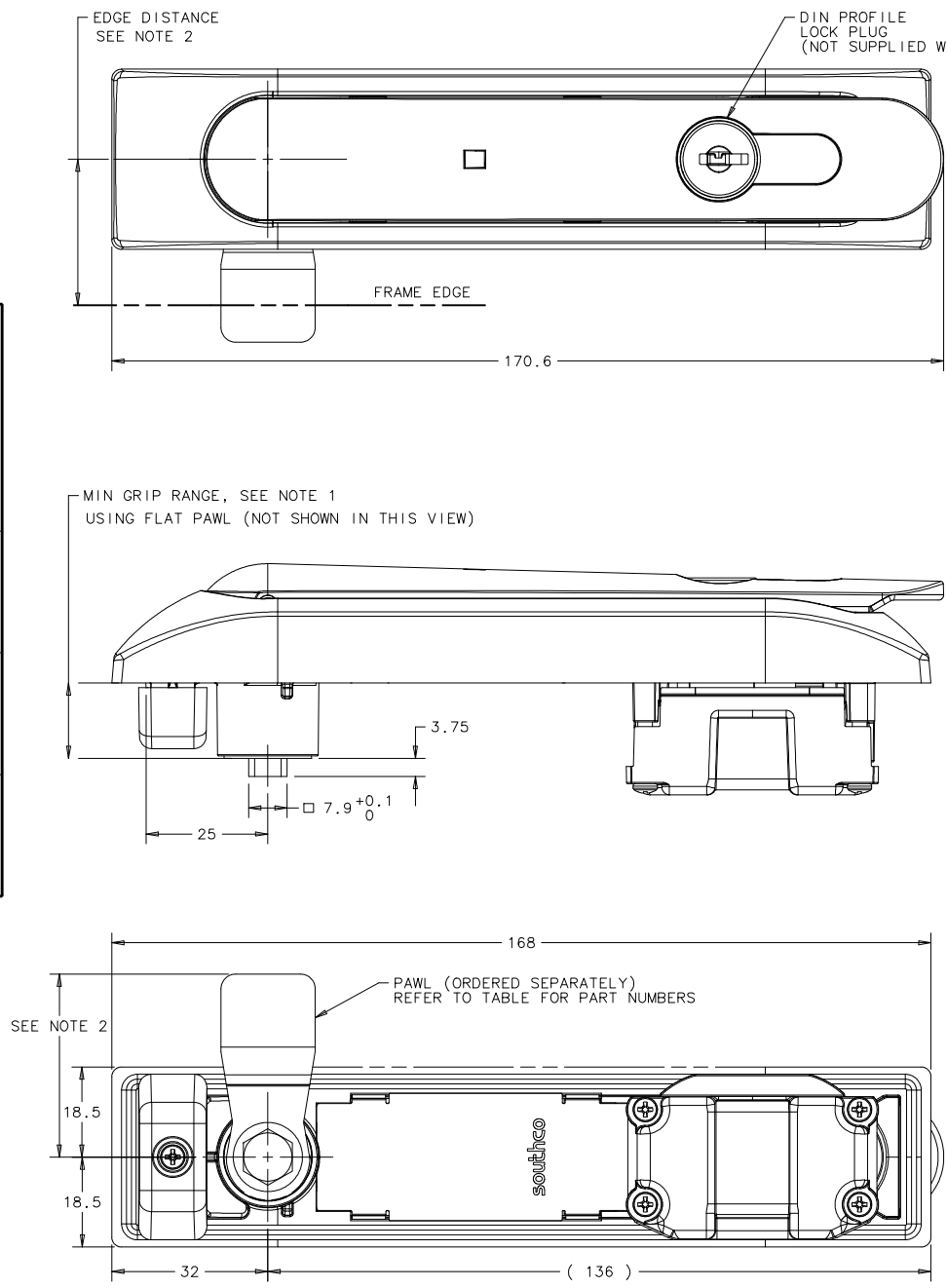


REV	DATE	DRAWN/CHKD	CMS/KH	PRN	DESCRIPTION	PART NUMBER	MATERIAL	FINISH	LOCKPLUG
B	24JAN2013	CMS/KH	PRN	P2013-0225		H3-65-501-071	TABLE SHEET 3	CH 751 (2 KEYS SUPPLIED)	
C	05OCT2015	CMS/KH	PRN	P2015-2001		H3-65-523-071	TABLE SHEET 3	CH 333 (2 KEYS SUPPLIED)	
D	17AUG2016	CMS/WG	PRN	P2016-1905		H3-65-500-071	TABLE SHEET 3	NO LOCK PLUG	
E	14SEP2016	CMS/RO	PRN	P2016-2103		H3-65-577-071	TABLE SHEET 3	8MM TRIANGLE	
F	17NOV2016	CMS/KH	PRN	P2016-2645		H3-65-522-071	TABLE SHEET 3	CH 300 (2 KEYS SUPPLIED)	
G	21FEB2017	CMS/RO	PRN	P2017-0413		H3-65-570-071	TABLE SHEET 3	3mm DOUBLE BIT	
H	22MAR2017	CMS/MG	PRN	P2017-0678		H3-65-571-071	TABLE SHEET 3	5mm DOUBLE BIT	
I	14AUG2017	CMS/KH	PRN	P2017-1922		H3-65-573-071	TABLE SHEET 3	BELLCORE HEX-PIN RECESS	

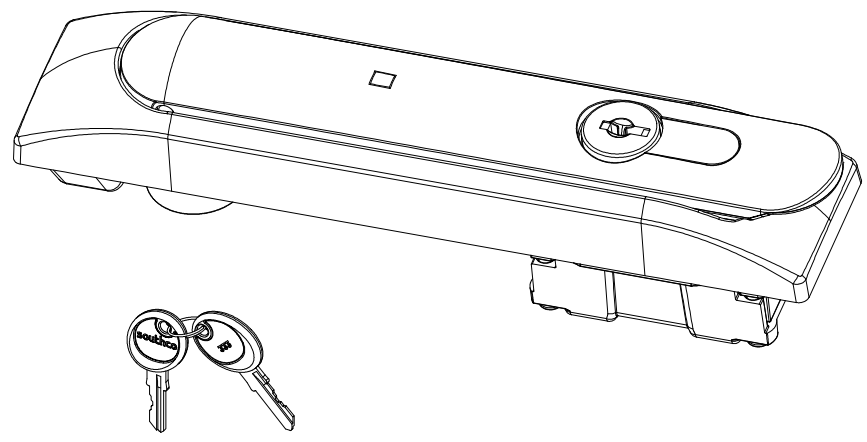
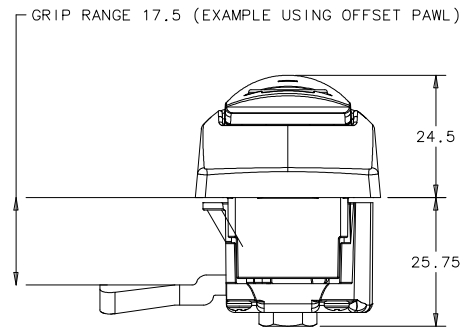
DRAWING NUMBER	J-H3-65
SCALE	1:1
DATE	29SEP2010
DRAWN/CHKD	DCP/NPB
MILLIMETERS	
ALL DIMENSIONS WITHOUT TOLERANCES ARE FOR REFERENCE ONLY.	
THIRD ANGLE PROJECTION	
A3 PAPER SIZE	



DIN PROFILE LOCK PLUG (NOT SUPPLIED WITH H3-65-500-071)

- NOTES:
- MIN GRIP RANGE WITH FLAT PAWL 15.5mm.  
EXAMPLE SHOWN: 2mm OFFSET PAWL - GRIP RANGE 17.5mm.
  - FOR PAWL LENGTH 38mm EDGE DISTANCE 30mm.  
FOR PAWL LENGTH 45mm EDGE DISTANCE 37mm.
  - SELECT PAWL PART NUMBER ACCORDING TO TABLE TO PROVIDE GRIP REQUIRED:

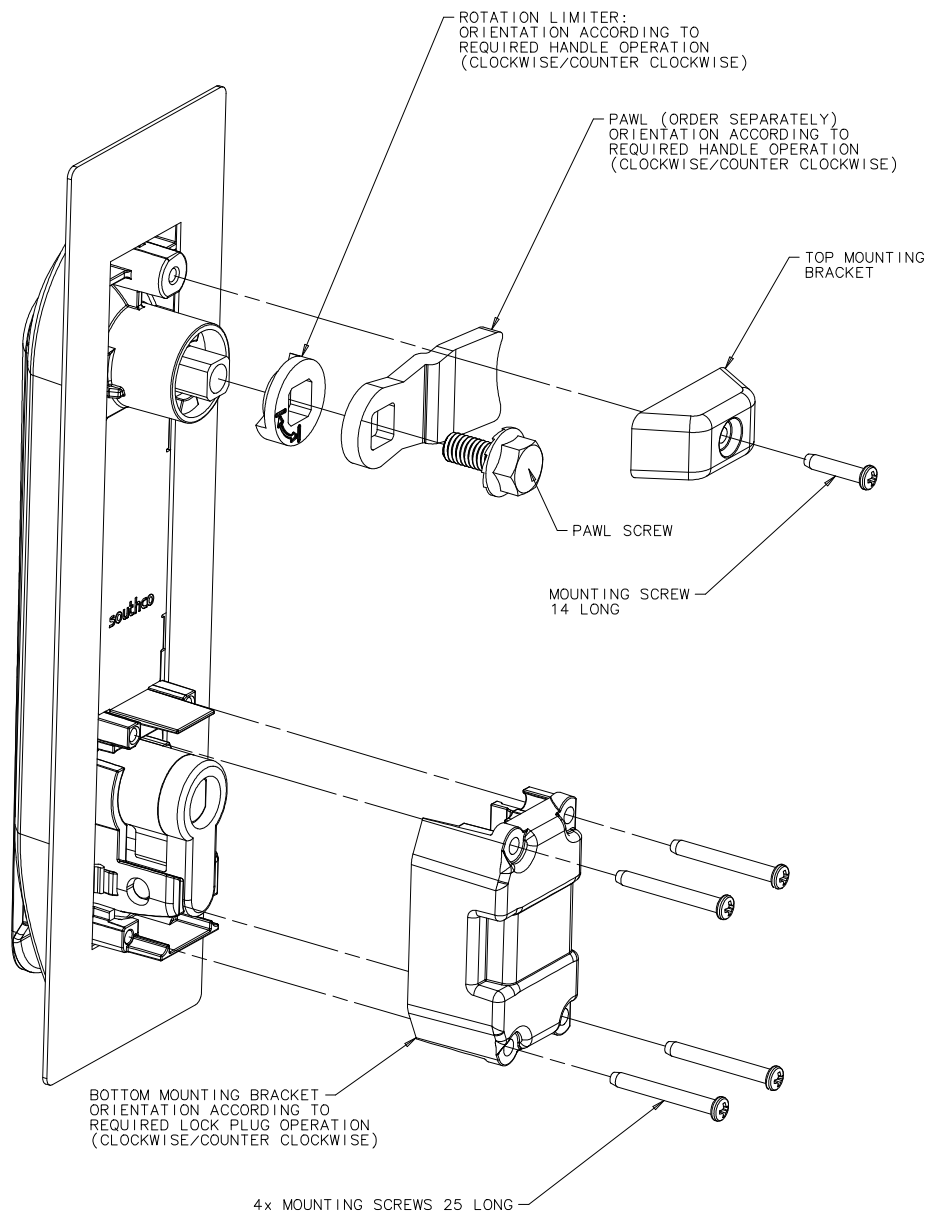
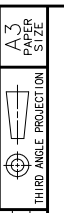
GRIP	PART NO. (LENGTH = 38mm)	PART NO. (LENGTH = 45mm)
15.5	E5-6710	E5-6110
17.5	E5-6711	E5-6111
19.5	E5-6712	E5-6112
21.5	E5-6713	E5-6113
23.5	E5-6714	E5-6114
OTHER	PLEASE CONTACT SOUTHCO	



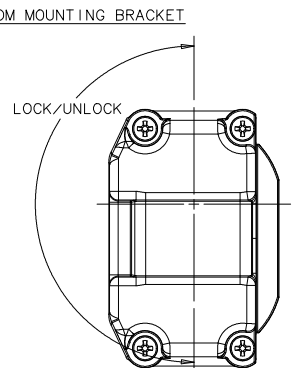
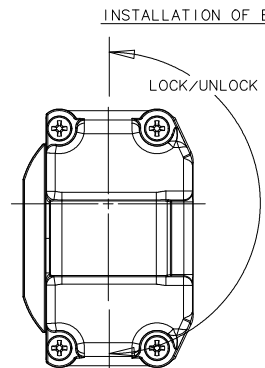
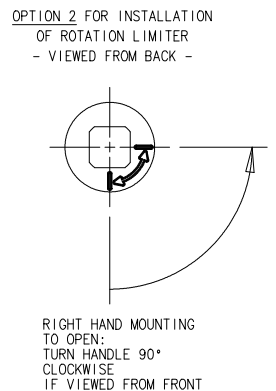
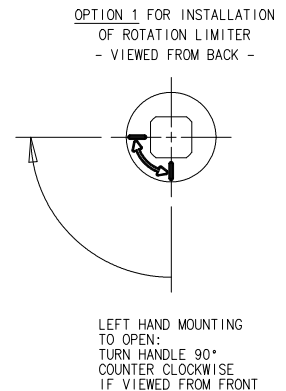
(NOT SUPPLIED WITH H3-65-500-071 & H3-65-577-071)

REV	DATE	DRAWN/CHKD	DESCRIPTION	PART NUMBER	MATERIAL	FINISH	LOCKPLUG
B	24JAN2013	CMS/KH	PRN: P2013-0225	H3-65-501-071	TABLE SHEET 3	TABLE SHEET 3	CH 751 (2 KEYS SUPPLIED)
C	05OCT2015	CMS/KH	PRN: P2015-2001	H3-65-523-071	TABLE SHEET 3	TABLE SHEET 3	CH 333 (2 KEYS SUPPLIED)
D	17AUG2016	CMS/WG	PRN: P2016-1905	H3-65-500-071	TABLE SHEET 3	TABLE SHEET 3	NO LOCK PLUG
E	14SEP2016	CMS/RO	PRN: P2016-2103	H3-65-577-071	TABLE SHEET 3	TABLE SHEET 3	8MM TRIANGLE
F	17NOV2016	CMS/KH	PRN: P2016-2645	H3-65-522-071	TABLE SHEET 3	TABLE SHEET 3	CH 300 (2 KEYS SUPPLIED)
G	21FEB2017	CMS/RO	PRN: P2017-0413	H3-65-570-071	TABLE SHEET 3	TABLE SHEET 3	3mm DOUBLE BIT
H	22MAR2017	CMS/MG	PRN: P2017-0678	H3-65-571-071	TABLE SHEET 3	TABLE SHEET 3	5mm DOUBLE BIT
I	14AUG2017	CMS/KH	PRN: P2017-1922	H3-65-572-071	TABLE SHEET 3	TABLE SHEET 3	BELLCORE 216
				H3-65-573-071	TABLE SHEET 3	TABLE SHEET 3	BELLCORE HEX-PIN RECESS

**MILLIMETERS**  
ALL DIMENSIONS WITHOUT TOLERANCES ARE FOR REFERENCE ONLY.



1. USE ONLY MOUNTING HARDWARE SUPPLIED.
2. MAXIMUM TIGHTENING TORQUE FOR MOUNTING SCREWS 0.5 Nm.
3. PAWL SCREW INSTALLATION TORQUE 4 Nm.



OPERATION OF LOCK PLUG CORRESPONDS WITH ORIENTATION OF BOTTOM MOUNTING BRACKET

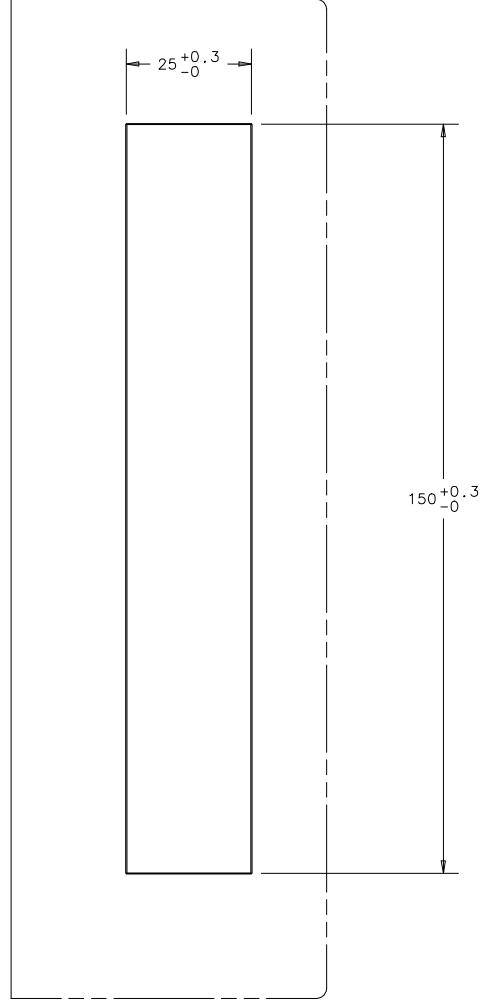
LEFT HAND MOUNT WHEN H3-61-55-33 MULTI POINT SYSTEM IS USED.

RIGHT HAND MOUNT WHEN H3-61-56-33 MULTI POINT SYSTEM IS USED.

REV	DATE	DRAWN/CHKD	DESCRIPTION	PART NUMBER	MATERIAL	FINISH	LOCKPLUG	MILLIMETERS
B	24JAN2013	CMS/KH	PRN: P2013-0225	H3-65-501-071	TABLE SHEET 3	TABLE SHEET 3	CH 751 (2 KEYS SUPPLIED)	
C	05OCT2015	CMS/KH	PRN: P2015-2001	H3-65-523-071	TABLE SHEET 3	TABLE SHEET 3	CH 333 (2 KEYS SUPPLIED)	
D	17AUG2016	CMS/WG	PRN: P2016-1905	H3-65-500-071	TABLE SHEET 3	TABLE SHEET 3	NO LOCK PLUG	
E	14SEP2016	CMS/RO	PRN: P2016-2103	H3-65-577-071	TABLE SHEET 3	TABLE SHEET 3	8MM TRIANGLE	
F	17NOV2016	CMS/KH	PRN: P2016-2645	H3-65-522-071	TABLE SHEET 3	TABLE SHEET 3	CH 300 (2 KEYS SUPPLIED)	
G	21FEB2017	CMS/RO	PRN: P2017-0413	H3-65-570-071	TABLE SHEET 3	TABLE SHEET 3	3mm DOUBLE BIT	
H	22MAR2017	CMS/MGG	PRN: P2017-0678	H3-65-571-071	TABLE SHEET 3	TABLE SHEET 3	5mm DOUBLE BIT	
I	14AUG2017	CMS/KH	PRN: P2017-1922	H3-65-573-071	TABLE SHEET 3	TABLE SHEET 3	BELLCORE 216	



COMPONENT	MATERIAL	FINISH	NOTE
LATCH BODY	30% GF NYLON (UL94-V0)	BLACK (A&B SURFACES VD136)	
HANDLE MOLDING	30% GF NYLON (UL94-V0)	BLACK (A&B SURFACES VD136)	
BLANKING COVER KEEPER	PC ABS (UL94-V0)	BLACK POLISHED	
LIGHT PIPE BLANKING PLUG	PC ABS	BLACK (A SURFACE VD136)	
BOTTOM MOUNTING BRACKET	30% GF NYLON (UL94-V0)	BLACK	
SLIDE SPRING	25% GF NYLON (UL94-V0)	NATURAL	
HANDLE SHAFT	302 STAINLESS STEEL	ZINC PLATE BRIGHT CHROMATE	
ROTATION LIMITER	DIE CAST ZINC	ZINC PLATE BRIGHT CHROMATE	
TOP MOUNTING BRACKET	30% GF NYLON (UL94-V0)	BLACK	
MOUNTING SCREW 25 LONG	STEEL	ZINC PLATE + BRIGHT CHROMATE	
MOUNTING SCREW 14 LONG	STEEL	ZINC PLATE + BRIGHT CHROMATE	
DIN LOCKPLUG	DETAILS ON REQUEST	OPTIONAL WITHOUT LOCKPLUG	
LOCK PLUG RETAINING SCREW	SEE NOTE A		
SHAFT PIN	SAE 30302/30304	PLAIN, OILED	
O-RING	BLACK NBR RUBBER	GREASED	
PAWL SCREW	STEEL	ZINC PLATE + BRIGHT CHROMATE	
EXTENDED ROTATION LIMITER	DIE CAST ZINC	ZINC PLATE + BRIGHT CHROMATE	<b>ORDER SEPARATELY</b>



PANEL THICKNESS:  
1 TO 2.5

PANEL PREPARATIONS