

REV	DATE	DRAWN/CHKD	DESCRIPTION	PART NUMBER
A	23OCT2003	RLR/CHH	PRN:P2003-0937	F7-63
B	06SEP2016	CMS/JF	PRN:P2016-2050	

F7 FLEXIBLE DRAW LATCH - CONCEALED MOUNTING (FRONT MOUNTED)

DATE
25MAR2003

DRAWN
AJH

CHKD SCALE
1:1

DRAWING NUMBER
J-F7-63

MILLIMETERS

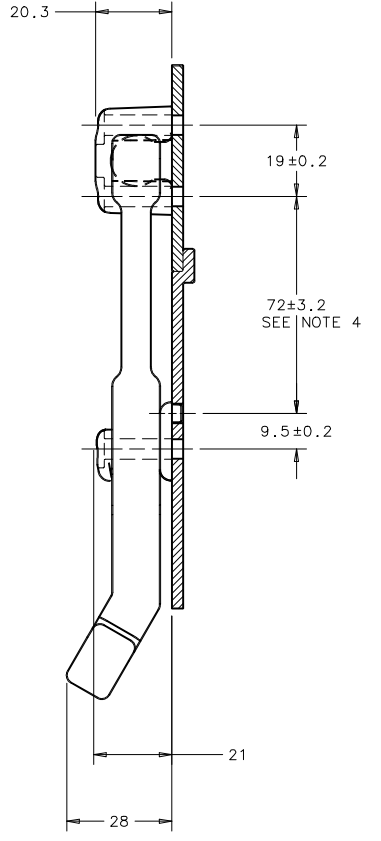
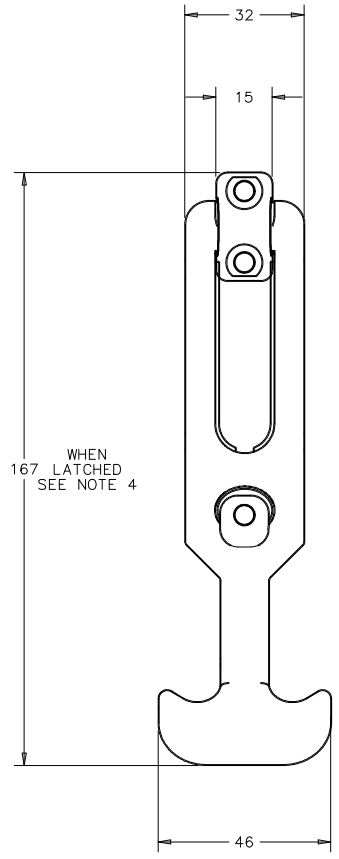
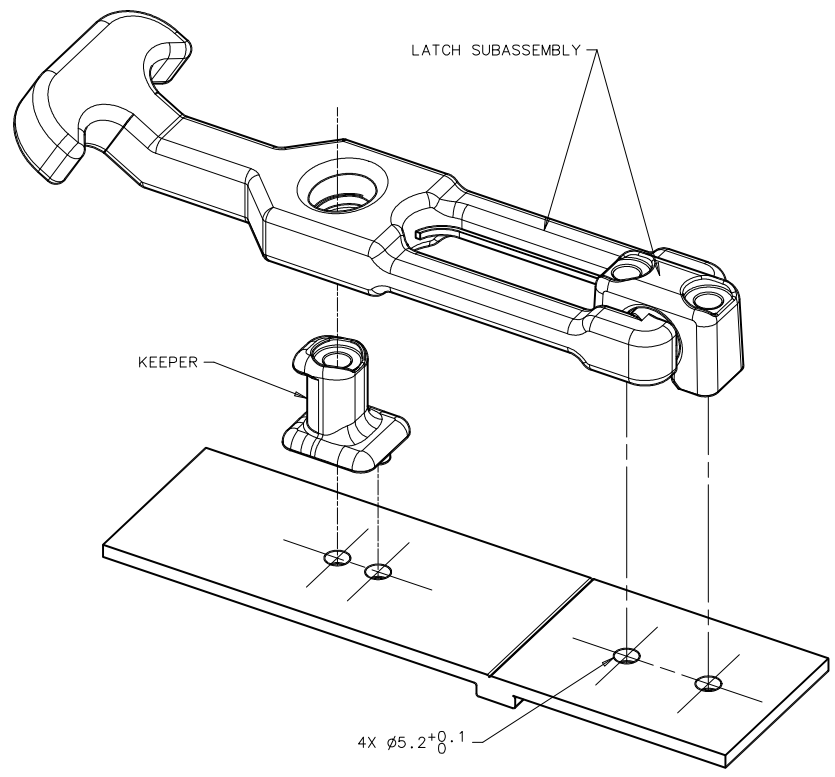
ALL DIMENSIONS WITHOUT TOLERANCES ARE FOR REFERENCE ONLY.

A3
PAPER
SIZE

THIRD ANGLE PROJECTION

NOTES:

- LATCH ASSEMBLY CONSISTS OF:
SUB-ASSEMBLY:
HANDLE - TPE, BLACK
BRACKET - G.R. NYLON, BLACK.
KEEPER - G.R. NYLON, BLACK
- LATCH SUB-ASSEMBLY AND KEEPER SHIPPED SEPARATELY, BULK. FOR LATCHES PACKAGED ONE PER BAG, ADD -P TO PART NUMBER.
- MOUNT USING (3) No. 10/M5 SCREWS, OR 3/16 - 5mm RIVETS (NOT SUPPLIED).
- NOTED DIMENSIONS ARE NOT TO SCALE AND REPRESENT DISTANCE WHEN FLEXIBLE DRAW LATCH HANDLE IS STRETCHED TO LATCHED POSITION OVER THE KEEPER.



INSTALLED VIEWS
(SCALE .75:1)