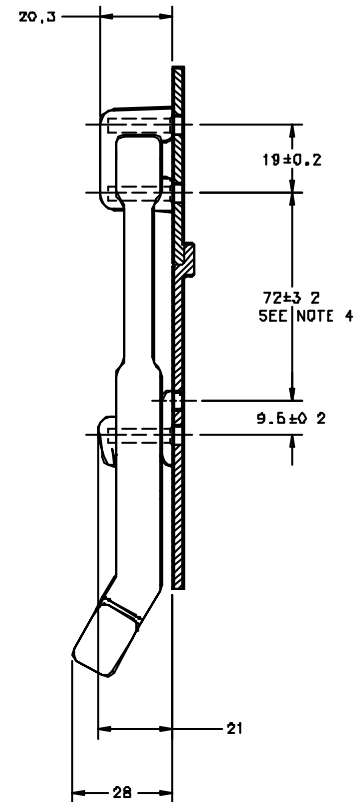
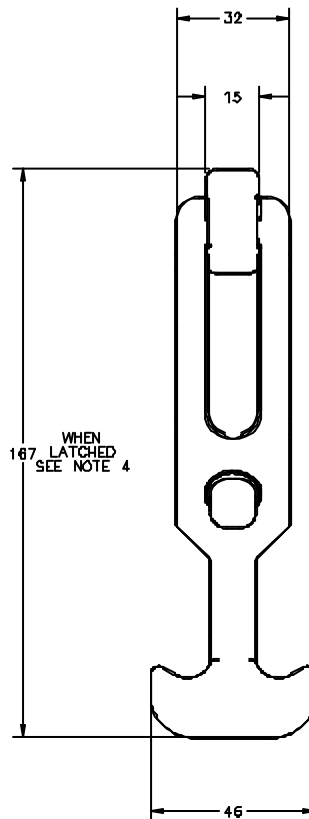
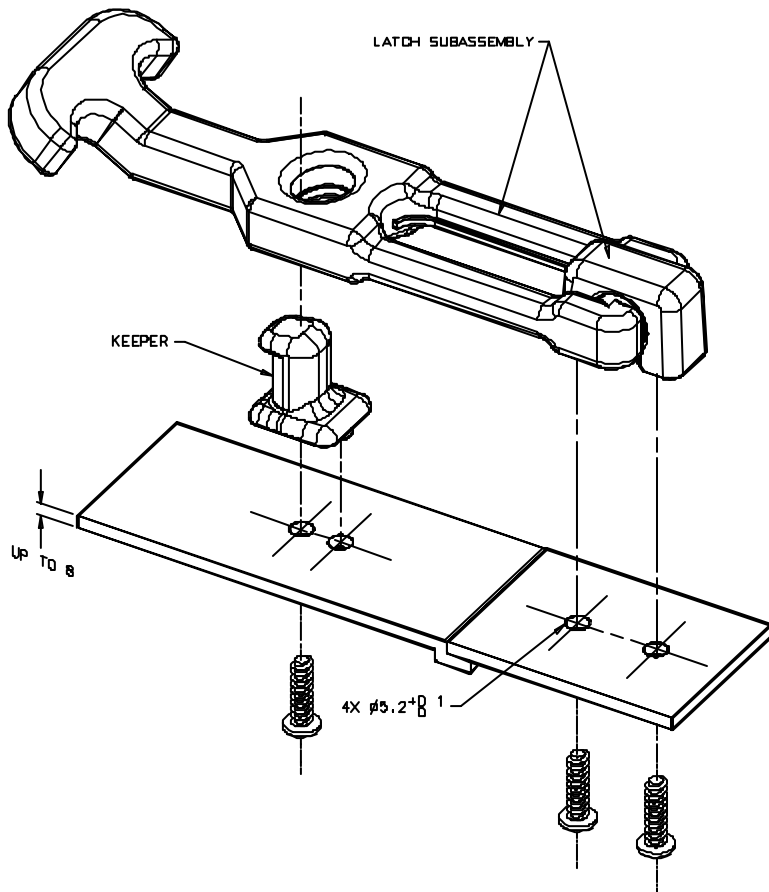


NOTES:

- LATCH ASSEMBLY CONSISTS OF:
 SUB-ASSEMBLY:
 HANDLE - TPE, BLACK
 BRACKET - G.R. NYLON, BLACK,
 KEEPER - G.R. NYLON, BLACK
 SCREWS (3) - 18-8 STAINLESS, PASSIVATED
- LATCH SUB-ASSEMBLY, KEEPER, AND SCREWS SHIPPED
 SEPARATELY, BULK, FOR LATCHES PACKAGED ONE PER BAG.
 ADD -P TO PART NUMBER.
- MOUNT USING (3) THREAD FORMING No. 2 PHILLIPS RECESS
 SCREWS (SOUTHCO SUPPLIED) -
 MAX INSTALLATION TORQUE - 2 N.m
- NOTED DIMENSIONS ARE NOT TO SCALE AND REPRESENT
 DISTANCE WHEN FLEXIBLE DRAW LATCH HANDLE IS
 STRETCHED TO LATCHED POSITION OVER THE KEEPER



INSTALLED VIEWS
 (SCALE .75:1)