

6

5

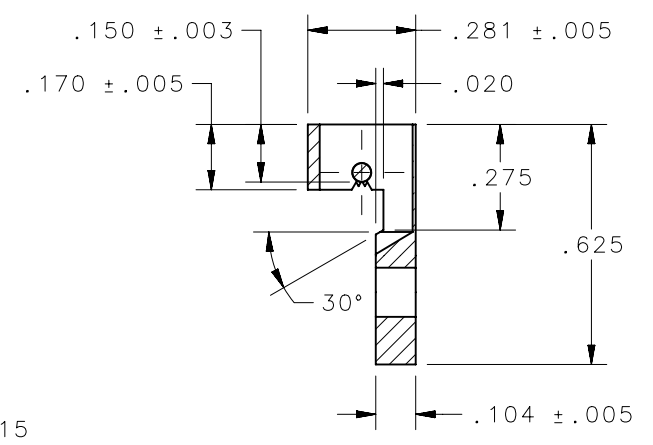
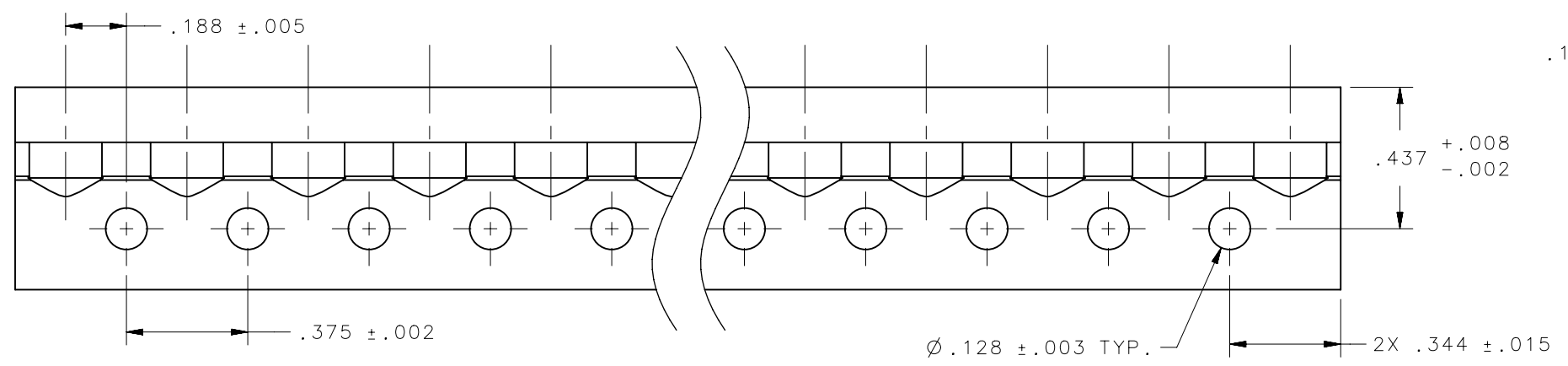
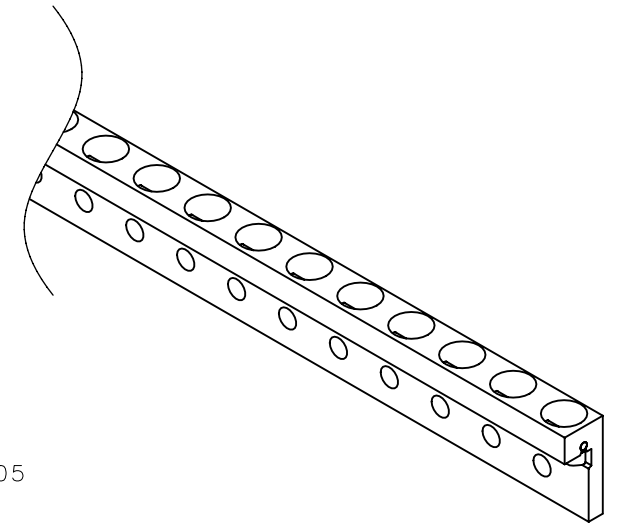
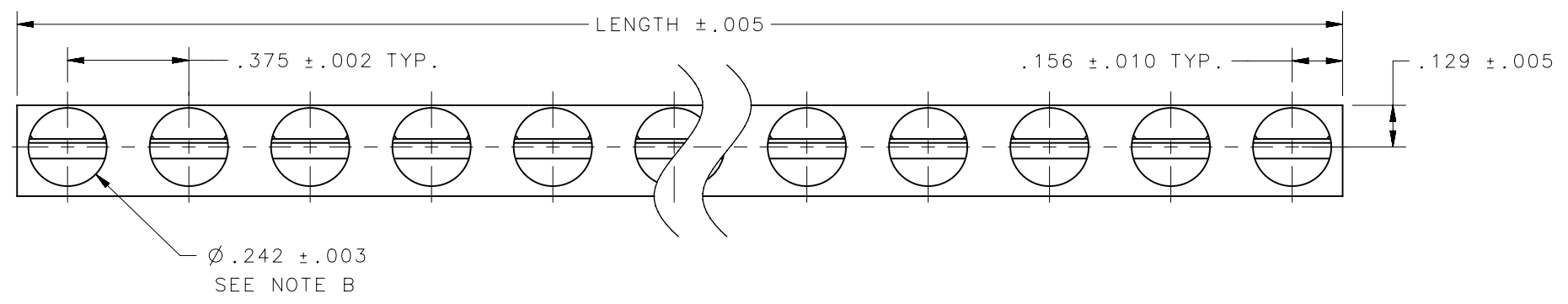
4

3

2

1

REVISION HISTORY			
REV	DATE	BY	DESCRIPTION
F	14FEB2018	CMS/JW	PRN: P2018-0411



SCALE 1:1

D5-PR35HXXXYYNA

YYY = FINISH DESIGNATION, SEE NOTE C
 XXX = NUMBER OF HOLES PER STRIP

MIL-F-25173A* APPROVED

* MEETS THE DESIGN, PHYSICAL AND PERFORMANCE REQUIREMENTS OF MIL-F-25173A. HOWEVER, FULL MECHANICAL PROPERTIES TESTING MAY NOT BE PERFORMED ON EACH PRODUCTION LOT.

NOTES:

- A. MATERIAL:
STRIP: 6061-T6 ALUMINUM PER AMS-QQ-A-200A.
WIRE: Ø .050" 316 SPRING TEMPER, CONDITION B per ASTM A313/A313M.
- B. SOME DISTORTION MAY ENTER THE Ø .242 HOLE DUE TO STAKING OF WIRE. THIS WILL NOT AFFECT THE FUNCTION OF THE PRODUCT.
- C. REFER TO J-D5-0-3 FOR FINISH INFORMATION AND SPECIFICATIONS. IF NO (YYY) SUFFIX IS USED, FINISH IS NATURAL.
- D. SEE SHEET 2, 3 AND 4 FOR DFCI/SOUTHCO PART NUMBER CROSS REFERENCE TABLE.

WIRE	-	SEE NOTE A	NATURAL
STRIP	-	SEE NOTE A	SEE NOTE C
ASSEMBLY	SEE TABLE	-	-
TYPE OF COMPONENT	SOUTHCO PART NUMBER	MATERIAL	FINISH

CAGE CODE 72794	THIRD ANGLE PROJECTION		
	INCHES [MM]		
PROPRIETARY ITEM EXCEPT FOR USES EXPRESSLY GRANTED IN WRITING, INFORMATION DISCLOSED HEREON IS CONFIDENTIAL AND ALL RIGHTS, PATENT AND OTHERWISE, ARE RESERVED BY SOUTHCO, INC.	TOLERANCES UNLESS OTHERWISE NOTED	DESCRIPTION D5 RIGHT ANGLE RECEPTACLE STRIP	
	X° ±2° X/X ±1/32 .XX ±.015 .XXX ±.010 MACHINE FINISH125		
PER ASME Y14.5M-1994	SIZE B	SYSTEM NX	DWG NO. J-D5-PR35HNA
	DRAWN BY CMS/NJF	DATE 13JUL2015	SCALE 2:1
			SHEET 1 OF 4

6

5

4

3

2

1

6

5

4

3

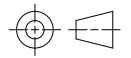
2

1

REVISION HISTORY			
REV	DATE	BY	DESCRIPTION
F	14FEB2018	CMS/JW	PRN: P2018-0411

DFCI Part Number	Southco Part Number	# of Holes	LENGTH (inches)
3590-H3	D5-PR35H003NA	3	1.063
3590-H4	D5-PR35H004NA	4	1.438
3590-H5	D5-PR35H005NA	5	1.813
3590-H6	D5-PR35H006NA	6	2.188
3590-H7	D5-PR35H007NA	7	2.563
3590-H8	D5-PR35H008NA	8	2.938
3590-H9	D5-PR35H009NA	9	3.313
3590-H10	D5-PR35H010NA	10	3.688
3590-H11	D5-PR35H011NA	11	4.063
3590-H12	D5-PR35H012NA	12	4.438
3590-H13	D5-PR35H013NA	13	4.813
3590-H14	D5-PR35H014NA	14	5.188
3590-H15	D5-PR35H015NA	15	5.563
3590-H16	D5-PR35H016NA	16	5.938
3590-H17	D5-PR35H017NA	17	6.313
3590-H18	D5-PR35H018NA	18	6.688
3590-H19	D5-PR35H019NA	19	7.063
3590-H20	D5-PR35H020NA	20	7.438
3590-H21	D5-PR35H021NA	21	7.813
3590-H22	D5-PR35H022NA	22	8.188
3590-H23	D5-PR35H023NA	23	8.563
3590-H24	D5-PR35H024NA	24	8.938
3590-H25	D5-PR35H025NA	25	9.313
3590-H26	D5-PR35H026NA	26	9.688
3590-H27	D5-PR35H027NA	27	10.063
3590-H28	D5-PR35H028NA	28	10.438
3590-H29	D5-PR35H029NA	29	10.813
3590-H30	D5-PR35H030NA	30	11.188
3590-H31	D5-PR35H031NA	31	11.563
3590-H32	D5-PR35H032NA	32	11.938
3590-H33	D5-PR35H033NA	33	12.313
3590-H34	D5-PR35H034NA	34	12.688
3590-H35	D5-PR35H035NA	35	13.063
3590-H36	D5-PR35H036NA	36	13.438
3590-H37	D5-PR35H037NA	37	13.813
3590-H38	D5-PR35H038NA	38	14.188
3590-H39	D5-PR35H039NA	39	14.563
3590-H40	D5-PR35H040NA	40	14.938
3590-H41	D5-PR35H041NA	41	15.313
3590-H42	D5-PR35H042NA	42	15.688
3590-H43	D5-PR35H043NA	43	16.063
3590-H44	D5-PR35H044NA	44	16.438
3590-H45	D5-PR35H045NA	45	16.813
3590-H46	D5-PR35H046NA	46	17.188
3590-H47	D5-PR35H047NA	47	17.563
3590-H48	D5-PR35H048NA	48	17.938
3590-H49	D5-PR35H049NA	49	18.313
3590-H50	D5-PR35H050NA	50	18.688
3590-H51	D5-PR35H051NA	51	19.063

DFCI PART NUMBER	SOUTHCO PART NUMBER	# OF HOLES	LENTH (INCHES)
3590-H52	D5-PR35H052NA	52	19.438
3590-H53	D5-PR35H053NA	53	19.813
3590-H54	D5-PR35H054NA	54	20.188
3590-H55	D5-PR35H055NA	55	20.563
3590-H56	D5-PR35H056NA	56	20.938
3590-H57	D5-PR35H057NA	57	21.313
3590-H58	D5-PR35H058NA	58	21.688
3590-H59	D5-PR35H059NA	59	22.063
3590-H60	D5-PR35H060NA	60	22.438
3590-H61	D5-PR35H061NA	61	22.813
3590-H62	D5-PR35H062NA	62	23.188
3590-H63	D5-PR35H063NA	63	23.563
3590-H64	D5-PR35H064NA	64	23.938
3590-H65	D5-PR35H065NA	65	24.313
3590-H66	D5-PR35H066NA	66	24.688
3590-H67	D5-PR35H067NA	67	25.063
3590-H68	D5-PR35H068NA	68	25.438
3590-H69	D5-PR35H069NA	69	25.813
3590-H70	D5-PR35H070NA	70	26.188
3590-H71	D5-PR35H071NA	71	26.563
3590-H72	D5-PR35H072NA	72	26.938
3590-H73	D5-PR35H073NA	73	27.313
3590-H74	D5-PR35H074NA	74	27.688
3590-H75	D5-PR35H075NA	75	28.063
3590-H76	D5-PR35H076NA	76	28.438
3590-H77	D5-PR35H077NA	77	28.813
3590-H78	D5-PR35H078NA	78	29.188
3590-H79	D5-PR35H079NA	79	29.563
3590-H80	D5-PR35H080NA	80	29.938
3590-H81	D5-PR35H081NA	81	30.313
3590-H82	D5-PR35H082NA	82	30.688
3590-H83	D5-PR35H083NA	83	31.063
3590-H84	D5-PR35H084NA	84	31.438
3590-H85	D5-PR35H085NA	85	31.813
3590-H86	D5-PR35H086NA	86	32.188
3590-H87	D5-PR35H087NA	87	32.563
3590-H88	D5-PR35H088NA	88	32.938
3590-H89	D5-PR35H089NA	89	33.313
3590-H90	D5-PR35H090NA	90	33.688
3590-H91	D5-PR35H091NA	91	34.063
3590-H92	D5-PR35H092NA	92	34.438
3590-H93	D5-PR35H093NA	93	34.813
3590-H94	D5-PR35H094NA	94	35.188
3590-H95	D5-PR35H095NA	95	35.563
3590-H96	D5-PR35H096NA	96	35.938
3590-H97	D5-PR35H097NA	97	36.313
3590-H98	D5-PR35H098NA	98	36.688
3590-H99	D5-PR35H099NA	99	37.063
3590-H100	D5-PR35H100NA	100	37.438

THIRD ANGLE PROJECTION 

INCHES [MM]

TOLERANCES UNLESS OTHERWISE NOTED
 X° ±2°
 X/X ±1/32
 .XX ±.015
 .XXX ±.010
 MACHINE FINISH125

PROPRIETARY ITEM
 EXCEPT FOR USES EXPRESSLY GRANTED
 IN WRITING, INFORMATION DISCLOSED
 HEREON IS CONFIDENTIAL AND ALL
 RIGHTS, PATENT AND OTHERWISE,
 ARE RESERVED BY SOUTHCO, INC.

PER ASME Y14.5M-1994

southco[®]
 CONNECT • CREATE • INNOVATE

DESCRIPTION
 D5 RIGHT ANGLE
 RECEPTACLE STRIP

SIZE B SYSTEM NX DWG NO. J-D5-PR35HNA

DRAWN BY CMS/NJF DATE 13JUL2015 SCALE 1:1 SHEET 2 OF 4

6

5

4

3

2

1

6

5

4

3

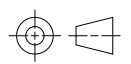
2

1

DFCI PART NUMBER	SOUTHCO PART NUMBER	# OF HOLES	LENGTH (INCHES)
3590-H101	D5-PR35H101NA	101	37.813
3590-H102	D5-PR35H102NA	102	38.188
3590-H103	D5-PR35H103NA	103	38.563
3590-H104	D5-PR35H104NA	104	38.938
3590-H105	D5-PR35H105NA	105	39.313
3590-H106	D5-PR35H106NA	106	39.688
3590-H107	D5-PR35H107NA	107	40.063
3590-H108	D5-PR35H108NA	108	40.438
3590-H109	D5-PR35H109NA	109	40.813
3590-H110	D5-PR35H110NA	110	41.188
3590-H111	D5-PR35H111NA	111	41.563
3590-H112	D5-PR35H112NA	112	41.938
3590-H113	D5-PR35H113NA	113	42.313
3590-H114	D5-PR35H114NA	114	42.688
3590-H115	D5-PR35H115NA	115	43.063
3590-H116	D5-PR35H116NA	116	43.438
3590-H117	D5-PR35H117NA	117	43.813
3590-H118	D5-PR35H118NA	118	44.188
3590-H119	D5-PR35H119NA	119	44.563
3590-H120	D5-PR35H120NA	120	44.938
3590-H121	D5-PR35H121NA	121	45.313
3590-H122	D5-PR35H122NA	122	45.688
3590-H123	D5-PR35H123NA	123	46.063
3590-H124	D5-PR35H124NA	124	46.438
3590-H125	D5-PR35H125NA	125	46.813
3590-H126	D5-PR35H126NA	126	47.188
3590-H127	D5-PR35H127NA	127	47.563
3590-H128	D5-PR35H128NA	128	47.938
3590-H129	D5-PR35H129NA	129	48.313
3590-H130	D5-PR35H130NA	130	48.688
3590-H131	D5-PR35H131NA	131	49.063
3590-H132	D5-PR35H132NA	132	49.438
3590-H133	D5-PR35H133NA	133	49.813
3590-H134	D5-PR35H134NA	134	50.188
3590-H135	D5-PR35H135NA	135	50.563
3590-H136	D5-PR35H136NA	136	50.938
3590-H137	D5-PR35H137NA	137	51.313
3590-H138	D5-PR35H138NA	138	51.688
3590-H139	D5-PR35H139NA	139	52.063
3590-H140	D5-PR35H140NA	140	52.438
3590-H141	D5-PR35H141NA	141	52.813
3590-H142	D5-PR35H142NA	142	53.188
3590-H143	D5-PR35H143NA	143	53.563
3590-H144	D5-PR35H144NA	144	53.938
3590-H145	D5-PR35H145NA	145	54.313
3590-H146	D5-PR35H146NA	146	54.688
3590-H147	D5-PR35H147NA	147	55.063
3590-H148	D5-PR35H148NA	148	55.438
3590-H149	D5-PR35H149NA	149	55.813
3590-H150	D5-PR35H150NA	150	56.188
3590-H151	D5-PR35H151NA	151	56.563
3590-H152	D5-PR35H152NA	152	56.938
3590-H153	D5-PR35H153NA	153	57.313
3590-H154	D5-PR35H154NA	154	57.688
3590-H155	D5-PR35H155NA	155	58.063
3590-H156	D5-PR35H156NA	156	58.438
3590-H157	D5-PR35H157NA	157	58.813
3590-H158	D5-PR35H158NA	158	59.188
3590-H159	D5-PR35H159NA	159	59.563
3590-H160	D5-PR35H160NA	160	59.938
3590-H161	D5-PR35H161NA	161	60.313

DFCI PART NUMBER	SOUTHCO PART NUMBER	# OF HOLES	LENGTH (INCHES)
3590-H162	D5-PR35H162NA	162	60.688
3590-H163	D5-PR35H163NA	163	61.063
3590-H164	D5-PR35H164NA	164	61.438
3590-H165	D5-PR35H165NA	165	61.813
3590-H166	D5-PR35H166NA	166	62.000
3590-H167	D5-PR35H167NA	167	62.563
3590-H168	D5-PR35H168NA	168	62.938
3590-H169	D5-PR35H169NA	169	63.313
3590-H170	D5-PR35H170NA	170	63.688
3590-H171	D5-PR35H171NA	171	64.063
3590-H172	D5-PR35H172NA	172	64.438
3590-H173	D5-PR35H173NA	173	64.813
3590-H174	D5-PR35H174NA	174	65.188
3590-H175	D5-PR35H175NA	175	65.563
3590-H176	D5-PR35H176NA	176	65.938
3590-H177	D5-PR35H177NA	177	66.313
3590-H178	D5-PR35H178NA	178	66.688
3590-H179	D5-PR35H179NA	179	67.063
3590-H180	D5-PR35H180NA	180	67.438
3590-H181	D5-PR35H181NA	181	67.813
3590-H182	D5-PR35H182NA	182	68.188
3590-H183	D5-PR35H183NA	183	68.563
3590-H184	D5-PR35H184NA	184	68.938
3590-H185	D5-PR35H185NA	185	69.313
3590-H186	D5-PR35H186NA	186	69.688
3590-H187	D5-PR35H187NA	187	70.063
3590-H188	D5-PR35H188NA	188	70.438
3590-H189	D5-PR35H189NA	189	70.813
3590-H190	D5-PR35H190NA	190	71.188
3590-H191	D5-PR35H191NA	191	71.563
3590-H192	D5-PR35H192NA	192	71.938
3590-H193	D5-PR35H193NA	193	72.313
3590-H194	D5-PR35H194NA	194	72.688
3590-H195	D5-PR35H195NA	195	73.063
3590-H196	D5-PR35H196NA	196	73.438
3590-H197	D5-PR35H197NA	197	73.813
3590-H198	D5-PR35H198NA	198	74.188
3590-H199	D5-PR35H199NA	199	74.563
3590-H200	D5-PR35H200NA	200	74.938
3590-H201	D5-PR35H201NA	201	75.313
3590-H202	D5-PR35H202NA	202	75.688
3590-H203	D5-PR35H203NA	203	76.063
3590-H204	D5-PR35H204NA	204	76.438
3590-H205	D5-PR35H205NA	205	76.813
3590-H206	D5-PR35H206NA	206	77.188
3590-H207	D5-PR35H207NA	207	77.563
3590-H208	D5-PR35H208NA	208	77.938
3590-H209	D5-PR35H209NA	209	78.313

REVISION HISTORY			
REV	DATE	BY	DESCRIPTION
F	14FEB2018	CMS/JW	PRN: P2018-0411

THIRD ANGLE PROJECTION 	INCHES [MM]
	TOLERANCES UNLESS OTHERWISE NOTED X° ±2° X/X ±1/32 .XX ±.015 .XXX ±.010 MACHINE FINISH125
PROPRIETARY ITEM EXCEPT FOR USES EXPRESSLY GRANTED IN WRITING, INFORMATION DISCLOSED HEREON IS CONFIDENTIAL AND ALL RIGHTS, PATENT AND OTHERWISE, ARE RESERVED BY SOUTHCO, INC.	PER ASME Y14.5M-1994

southco [®] CONNECT · CREATE · INNOVATE			
DESCRIPTION D5 RIGHT ANGLE RECEPTACLE STRIP			
SIZE B	SYSTEM NX	DWG NO. J-D5-PR35HNA	
DRAWN BY CMS/NJF		DATE 15JUL2015	SCALE 1:1 SHEET 3 OF 4

6

5

4

3

2

1

6

5

4

3

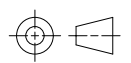
2

1

DFCI PART NUMBER	SOUTHCO PART NUMBER	# OF HOLES	LENGTH (INCHES)
3590-H210	D5-PR35H210NA	210	78.688
3590-H211	D5-PR35H211NA	211	79.063
3590-H212	D5-PR35H212NA	212	79.438
3590-H213	D5-PR35H213NA	213	79.813
3590-H214	D5-PR35H214NA	214	80.188
3590-H215	D5-PR35H215NA	215	80.563
3590-H216	D5-PR35H216NA	216	80.938
3590-H217	D5-PR35H217NA	217	81.313
3590-H218	D5-PR35H218NA	218	81.688
3590-H219	D5-PR35H219NA	219	82.063
3590-H220	D5-PR35H220NA	220	82.438
3590-H221	D5-PR35H221NA	221	82.813
3590-H222	D5-PR35H222NA	222	83.188
3590-H223	D5-PR35H223NA	223	83.563
3590-H224	D5-PR35H224NA	224	83.938
3590-H225	D5-PR35H225NA	225	84.313
3590-H226	D5-PR35H226NA	226	84.688
3590-H227	D5-PR35H227NA	227	85.063
3590-H228	D5-PR35H228NA	228	85.438
3590-H229	D5-PR35H229NA	229	85.813
3590-H230	D5-PR35H230NA	230	86.188
3590-H231	D5-PR35H231NA	231	86.563
3590-H232	D5-PR35H232NA	232	86.938
3590-H233	D5-PR35H233NA	233	87.313
3590-H234	D5-PR35H234NA	234	87.688
3590-H235	D5-PR35H235NA	235	88.063
3590-H236	D5-PR35H236NA	236	88.438
3590-H237	D5-PR35H237NA	237	88.813
3590-H238	D5-PR35H238NA	238	89.188
3590-H239	D5-PR35H239NA	239	89.563
3590-H240	D5-PR35H240NA	240	89.938
3590-H241	D5-PR35H241NA	241	90.313
3590-H242	D5-PR35H242NA	242	90.688
3590-H243	D5-PR35H243NA	243	91.063
3590-H244	D5-PR35H244NA	244	91.438
3590-H245	D5-PR35H245NA	245	91.813
3590-H246	D5-PR35H246NA	246	92.188
3590-H247	D5-PR35H247NA	247	92.563
3590-H248	D5-PR35H248NA	248	92.938
3590-H249	D5-PR35H249NA	249	93.313
3590-H250	D5-PR35H250NA	250	93.688
3590-H251	D5-PR35H251NA	251	94.063
3590-H252	D5-PR35H252NA	252	94.438
3590-H253	D5-PR35H253NA	253	94.813
3590-H254	D5-PR35H254NA	254	95.188
3590-H255	D5-PR35H255NA	255	95.563
3590-H256	D5-PR35H256NA	256	95.938
3590-H257	D5-PR35H257NA	257	96.313
3590-H258	D5-PR35H258NA	258	96.688
3590-H259	D5-PR35H259NA	259	97.063
3590-H260	D5-PR35H260NA	260	97.438
3590-H261	D5-PR35H261NA	261	97.813
3590-H262	D5-PR35H262NA	262	98.188
3590-H263	D5-PR35H263NA	263	98.563
3590-H264	D5-PR35H264NA	264	98.938
3590-H265	D5-PR35H265NA	265	99.313
3590-H266	D5-PR35H266NA	266	99.688
3590-H267	D5-PR35H267NA	267	100.063
3590-H268	D5-PR35H268NA	268	100.438
3590-H269	D5-PR35H269NA	269	100.813
3590-H270	D5-PR35H270NA	270	101.188

DFCI PART NUMBER	SOUTHCO PART NUMBER	# OF HOLES	LENGTH (INCHES)
3590-H271	D5-PR35H271NA	271	101.563
3590-H272	D5-PR35H272NA	272	101.938
3590-H273	D5-PR35H273NA	273	102.313
3590-H274	D5-PR35H274NA	274	102.688
3590-H275	D5-PR35H275NA	275	103.063
3590-H276	D5-PR35H276NA	276	103.438
3590-H277	D5-PR35H277NA	277	103.813
3590-H278	D5-PR35H278NA	278	104.188
3590-H279	D5-PR35H279NA	279	104.563
3590-H280	D5-PR35H280NA	280	104.938
3590-H281	D5-PR35H281NA	281	105.313
3590-H282	D5-PR35H282NA	282	105.688
3590-H283	D5-PR35H283NA	283	106.063
3590-H284	D5-PR35H284NA	284	106.438
3590-H285	D5-PR35H285NA	285	106.813
3590-H286	D5-PR35H286NA	286	107.188
3590-H287	D5-PR35H287NA	287	107.563
3590-H288	D5-PR35H288NA	288	107.938
3590-H289	D5-PR35H289NA	289	108.313
3590-H290	D5-PR35H290NA	290	108.688
3590-H291	D5-PR35H291NA	291	109.063
3590-H292	D5-PR35H292NA	292	109.438
3590-H293	D5-PR35H293NA	293	109.813
3590-H294	D5-PR35H294NA	294	110.188
3590-H295	D5-PR35H295NA	295	110.563
3590-H296	D5-PR35H296NA	296	110.938
3590-H297	D5-PR35H297NA	297	111.313
3590-H298	D5-PR35H298NA	298	111.688
3590-H299	D5-PR35H299NA	299	112.063
3590-H300	D5-PR35H300NA	300	112.438
3590-H301	D5-PR35H301NA	301	112.813
3590-H302	D5-PR35H302NA	302	113.188
3590-H303	D5-PR35H303NA	303	113.563
3590-H304	D5-PR35H304NA	304	113.938
3590-H305	D5-PR35H305NA	305	114.313
3590-H306	D5-PR35H306NA	306	114.688
3590-H307	D5-PR35H307NA	307	115.063
3590-H308	D5-PR35H308NA	308	115.438
3590-H309	D5-PR35H309NA	309	115.813
3590-H310	D5-PR35H310NA	310	116.188
3590-H311	D5-PR35H311NA	311	116.563
3590-H312	D5-PR35H312NA	312	116.938
3590-H313	D5-PR35H313NA	313	117.313
3590-H314	D5-PR35H314NA	314	117.688
3590-H315	D5-PR35H315NA	315	118.063
3590-H316	D5-PR35H316NA	316	118.438
3590-H317	D5-PR35H317NA	317	118.813
3590-H318	D5-PR35H318NA	318	119.188
3590-H319	D5-PR35H319NA	319	119.563

REVISION HISTORY			
REV	DATE	BY	DESCRIPTION
F	14FEB2018	CMS/JW	PRN: P2018-0411

THIRD ANGLE PROJECTION 

INCHES [MM]

TOLERANCES UNLESS OTHERWISE NOTED

X° ±2°

X/X ±1/32

.XX ±.015

.XXX ±.010

MACHINE FINISH .125

PER ASME Y14.5M-1994

PROPRIETARY ITEM EXCEPT FOR USES EXPRESSLY GRANTED IN WRITING, INFORMATION DISCLOSED HEREON IS CONFIDENTIAL AND ALL RIGHTS, PATENT AND OTHERWISE, ARE RESERVED BY SOUTHCO, INC.

southco[®]
CONNECT • CREATE • INNOVATE

DESCRIPTION
D5 RIGHT ANGLE RECEPTACLE STRIP

SIZE B SYSTEM NX DWG NO. J-D5-PR35HNA

DRAWN BY CMS/NJF DATE 15JUL2015 SCALE 1:1 SHEET 4 OF 4

6

5

4

3

2

1