

Bellows suction cup (round)

<https://www.schmalz.com/10.01.06.02672>



FSGPL 150 NBR-55 G1/2-IG DR

Part no.: 10.01.06.02672

Homepage > Vacuum Technology for Automation > Vacuum Components > Vacuum Suction Cups > Bellows Suction Cups (Round) > FSGPL 150

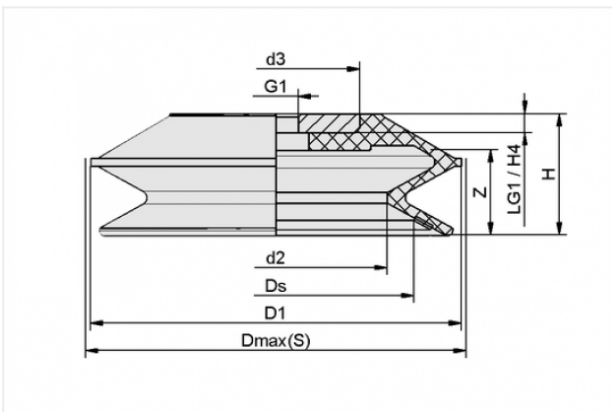
NBR-55 G1/2-IG DR

Bellows suction cup (round) for large, heavy and uneven workpieces



Size: 150
Suction cup material:
Nitrile rubber NBR
Material hardness: 55 °Sh
Vacuum connection: G1/2-F
Nipple material: Steel
Number of folds: 1.5
Additional feature: Sealing ring

Design Data



| Attribute | Value |
|-----------|-------|
|-----------|-------|

| | |
|---------|---------|
| d2 | 93 mm |
| d3 | 69.4 mm |
| D1 | 155 mm |
| Dmax(S) | 160 mm |
| Ds | 115 mm |
| G1 | G1/2"-F |
| H | 51 mm |
| H4 | 8 mm |
| LG1 | 8 mm |
| Z | 35.7 mm |

Contact to Schmalz

J. Schmalz GmbH | Johannes-Schmalz-Straße, 72293 Glatten, Deutschland | +49 7443 2403-102 | customercenter@schmalz.de

Technical Data

| Attribute | Value |
|---------------------------------|-------------------------|
| Suction force | 370 N |
| Pull-off force | 500 N |
| Volume | 443.156 cm ³ |
| Curve radius (min) (convex) | 250 mm |
| Internal hose diameter (recom.) | 12 mm |
| Size | 150 |
| Number of folds | 1.5 |
| Suction cup material | Nitrile rubber NBR |
| Material hardness | 55 °Sh |
| Weight | 415 g |
