

Bellows suction cup (round)

<https://www.schmalz.com/10.01.06.02993>



FSGPL 120 NBR-55 G1/2-IG DR

Part no.: 10.01.06.02993

Homepage > Vacuum Technology for Automation > Vacuum Components > Vacuum Suction Cups > Bellows Suction Cups (Round) > FSGPL 120

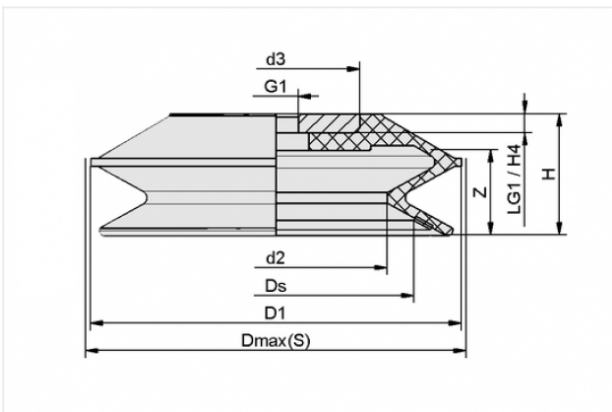
NBR-55 G1/2-IG DR

Bellows suction cup (round) for large, heavy and uneven workpieces



Size: 120
Suction cup material:
Nitrile rubber NBR
Material hardness: 55 °Sh
Vacuum connection: G1/2-F
Nipple material: Steel
Number of folds: 1.5
Additional feature: Sealing ring

Design Data



Attribute	Value
-----------	-------

d2	79.3 mm
d3	69.4 mm
D1	127.8 mm
Dmax(S)	135 mm
Ds	96 mm
G1	G1/2"-F
H	51 mm
H4	8 mm
LG1	8 mm
Z	35.7 mm

Contact to Schmalz

J. Schmalz GmbH | Johannes-Schmalz-Straße, 72293 Glatten, Deutschland | +49 7443 2403-102 | customercenter@schmalz.de

Technical Data

Attribute	Value
Volume	290.675 cm ³
Curve radius (min) (convex)	150 mm
Internal hose diameter (recom.)	12 mm
Size	120
Number of folds	1.5
Suction cup material	Nitrile rubber NBR
Material hardness	55 °Sh
Weight	354 g
