

# Bellows suction cup (round)

<https://www.schmalz.com/10.01.06.02977>



## FGA 78 NK-45 N019 DR

Part no.: 10.01.06.02977

Homepage > Vacuum Technology for Automation > Vacuum Components > Vacuum Suction Cups > Bellows Suction Cups (Round) > FGA 78

NK-45 N019 DR

### Bellows suction cup (round) with optimal adaptation to uneven surfaces



Size: 78

Suction cup material:

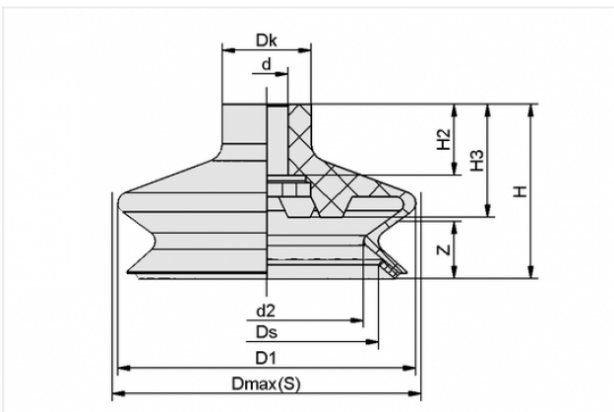
Natural Rubber NK

Material hardness: 45 °Sh

Number of folds: 1.5

Additional feature: Sealing ring

### Design Data



Attribute	Value
-----------	-------

d	11.8 mm
---	---------

d2	54 mm
----	-------

D1	83 mm
----	-------

Dk	24.7 mm
----	---------

Dmax(S)	86 mm
---------	-------

Ds	74 mm
----	-------

H	48.5 mm
---	---------

H2	19.7 mm
----	---------

H3	31.4 mm
----	---------

Z	16 mm
---	-------

### Contact to Schmalz

J. Schmalz GmbH | Johannes-Schmalz-Straße, 72293 Glatten, Deutschland | +49 7443 2403-102 | [customercenter@schmalz.de](mailto:customercenter@schmalz.de)

## Technical Data

Attribute	Value
Suction force	137.4 N
Pull-off force	218 N
Volume	79.418 cm <sup>3</sup>
Curve radius (min) (convex)	70 mm
Size	78
Nipple	N 019
Number of folds	1.5
Suction cup material	Natural Rubber NK
Material hardness	45 °Sh
Weight	48 g

---

---