

Bellows suction cup (round)

<https://www.schmalz.com/10.01.06.02980>



FSGA 78 NK-45 G1/4-AG DR

Part no.: 10.01.06.02980

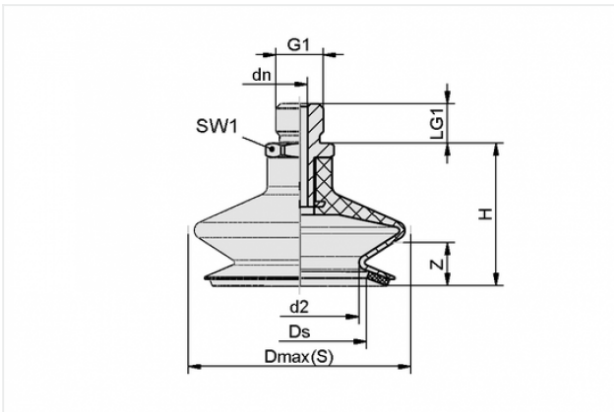
Homepage > Vacuum Technology for Automation > Vacuum Components > Vacuum Suction Cups > FSGA 78 NK-45 G1/4-AG DR

Bellows suction cup (round) with optimal adaptation to uneven surfaces



Size: 78
Number of folds: 1.5
Suction cup material:
Natural Rubber NK
Material hardness: 45 °Sh
Nipple material: Aluminium
Vacuum connection: G1/4-M
Additional feature: Sealing ring

Design Data



Attribute	Value
d2	54 mm
dn	8.2 mm
Dmax(S)	84.5 mm
Ds	74 mm
G1	G1/4"-M
H	54 mm
LG1	11 mm
SW1	21 mm
Z	14 mm

Technical Data

Contact to Schmalz

J. Schmalz GmbH | Johannes-Schmalz-Straße, 72293 Glatten, Deutschland | +49 7443 2403-102 | customercenter@schmalz.de

Attribute	Value
Suction force	137.4 N
Pull-off force	218 N
Volume	79.418 cm ³
Curve radius (min) (convex)	70 mm
Internal hose diameter (recom.)	6 mm
Size	78
Number of folds	1.5
Suction cup material	Natural Rubber NK
Material hardness	45 °Sh
Weight	71 g

Spare Parts



SA-NIP N019 G1/4-AG DN820

Part no. 10.01.06.01959

Suction cup connection nipple

Nipple: N 019

Thread G1: G1/4-M

Overall length: 40 mm

Fitting length: 6 mm

Nominal size: 8,20 mm

Material: Aluminium

Spanner size SW2: 8 mm



FGA 78 NK-45 N019 DR

Part no. 10.01.06.02977

Bellows suction cup (round) with optimal adaptation to uneven surfaces

Size: 78

Suction cup material:

Natural Rubber NK

Material hardness: 45 °Sh

Number of folds: 1.5

Additional feature: Sealing ring