

# Bellows suction cup (round)

<https://www.schmalz.com/10.01.06.02929>



## FGA 53 NK-45 N018 DR

Part no.: 10.01.06.02929

Homepage > Vacuum Technology for Automation > Vacuum Components > Vacuum Suction Cups > Bellows Suction Cups (Round) > FGA 53

NK-45 N018 DR

### Bellows suction cup (round) with optimal adaptation to uneven surfaces



Size: 53

Suction cup material:

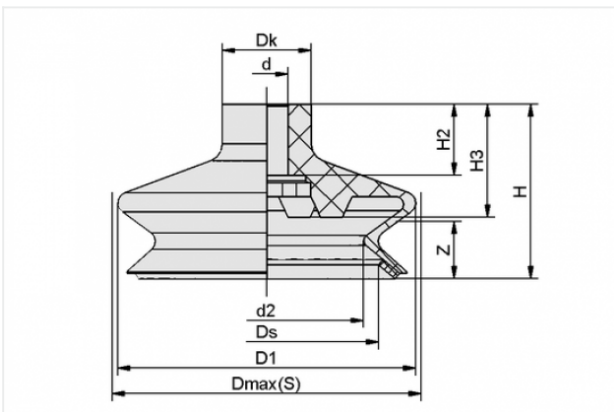
Natural Rubber NK

Material hardness: 45 °Sh

Number of folds: 1.5

Additional feature: Sealing ring

### Design Data



Attribute	Value
-----------	-------

d	8 mm
---	------

d2	33 mm
----	-------

D1	58.6 mm
----	---------

Dk	18 mm
----	-------

Dmax(S)	60 mm
---------	-------

Ds	50 mm
----	-------

H	36 mm
---	-------

H2	12.3 mm
----	---------

H3	19 mm
----	-------

Z	15 mm
---	-------

### Contact to Schmalz

J. Schmalz GmbH | Johannes-Schmalz-Straße, 72293 Glatten, Deutschland | +49 7443 2403-102 | [customercenter@schmalz.de](mailto:customercenter@schmalz.de)

## Technical Data

Attribute	Value
Suction force	51.3 N
Pull-off force	95 N
Volume	28.4 cm <sup>3</sup>
Curve radius (min) (convex)	75 mm
Size	53
Nipple	N 018
Number of folds	1.5
Suction cup material	Natural Rubber NK
Material hardness	45 °Sh
Weight	18.3 g

---

---