

Bellows suction cup (round)

<https://www.schmalz.com/10.01.06.02928>



FSGA 53 NK-45 G1/4-AG DR

Part no.: 10.01.06.02928

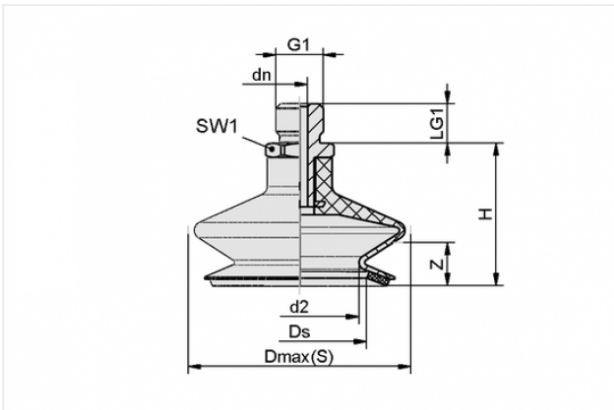
Homepage > Vacuum Technology for Automation > Vacuum Components > Vacuum Suction Cups > FSGA 53 NK-45 G1/4-AG DR

Bellows suction cup (round) with optimal adaptation to uneven surfaces



Size: 53
Number of folds: 1.5
Suction cup material:
Natural Rubber NK
Material hardness: 45 °Sh
Nipple material: Aluminium
Vacuum connection: G1/4-M
Additional feature: Sealing ring

Design Data



Attribute	Value
d2	33 mm
dn	4.4 mm
Dmax(S)	60 mm
Ds	37 mm
G1	G1/4"-M
H	40 mm
LG1	11 mm
SW1	17 mm
Z	12 mm

Technical Data

Contact to Schmalz

J. Schmalz GmbH | Johannes-Schmalz-Straße, 72293 Glatten, Deutschland | +49 7443 2403-102 | customercenter@schmalz.de

Attribute	Value
Suction force	51.3 N
Pull-off force	95 N
Volume	28.4 cm ³
Curve radius (min) (convex)	75 mm
Internal hose diameter (recom.)	6 mm
Size	53
Number of folds	1.5
Suction cup material	Natural Rubber NK
Material hardness	45 °Sh
Weight	30.2 g

Spare Parts



SA-NIP N018 G1/4-AG DN440

Part no. 10.01.06.01065

Suction cup connection nipple

Nipple: N 018

Thread G1: G1/4-M

Overall length: 28.8 mm

Fitting length: 4 mm

Nominal size: 4,40 mm

Material: Aluminium

Spanner size SW2: 5 mm



FGA 53 NK-45 N018 DR

Part no. 10.01.06.02929

Bellows suction cup (round) with optimal adaptation to uneven surfaces

Size: 53

Suction cup material:

Natural Rubber NK

Material hardness: 45 °Sh

Number of folds: 1.5

Additional feature: Sealing ring