

Bellows suction cup (round)

<https://www.schmalz.com/10.01.06.01668>



FSGA 33 NK-45 G1/4-IG DR

Part no.: 10.01.06.01668

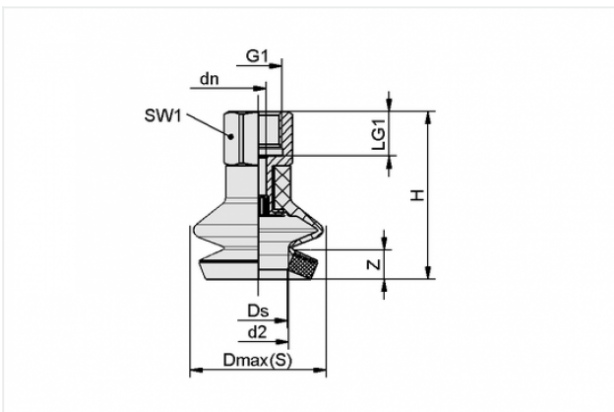
Homepage > Vacuum Technology for Automation > Vacuum Components > Vacuum Suction Cups > Bellows Suction Cups (Round) > Bellows Suction Cups with Sealing Ring > FSGA 33 NK-45 G1/4-IG DR

Bellows suction cup (round) with optimal adaptation to uneven surfaces



Size: 33
Number of folds: 1.5
Suction cup material:
Natural Rubber NK
Material hardness: 45 °Sh
Nipple material: Aluminium
Vacuum connection: G1/4-F
Additional feature: Sealing ring

Design Data



Attribute	Value
-----------	-------

d2	16 mm
----	-------

dn	4.4 mm
----	--------

Dmax(S)	38 mm
---------	-------

Ds	29 mm
----	-------

G1	G1/4"-F
----	---------

H	46.6 mm
---	---------

LG1	12 mm
-----	-------

SW1	17 mm
-----	-------

Z	9 mm
---	------

Contact to Schmalz

J. Schmalz GmbH | Johannes-Schmalz-Straße, 72293 Glatten, Deutschland | +49 7443 2403-102 | customercenter@schmalz.de

Technical Data

Attribute	Value
Size	33
Number of folds	1.5
Suction cup material	Natural Rubber NK
Material hardness	45 °Sh
Weight	15.7 g
