

# Bellows suction cup (round)

<https://www.schmalz.com/10.01.06.01666>



## FSGA 33 NK-45 G1/4-AG DR

Part no.: 10.01.06.01666

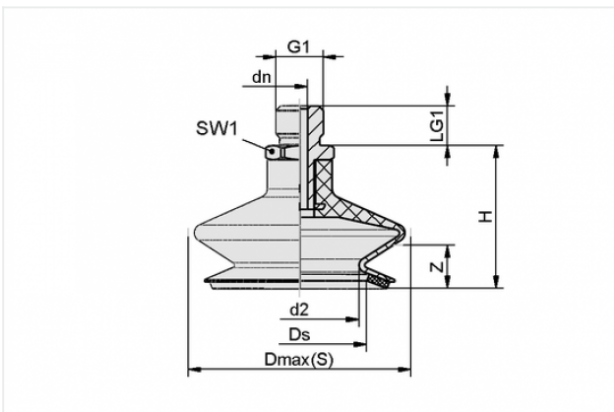
Homepage > Vacuum Technology for Automation > Vacuum Components > Vacuum Suction Cups > Bellows Suction Cups (Round) > Bellows Suction Cups with Sealing Ring > FSGA 33 NK-45 G1/4-AG DR

### Bellows suction cup (round) with optimal adaptation to uneven surfaces



Size: 33  
Number of folds: 1.5  
Suction cup material:  
Natural Rubber NK  
Material hardness: 45 °Sh  
Nipple material: Aluminium  
Vacuum connection: G1/4-M  
Additional feature: Sealing ring

### Design Data



Attribute	Value
-----------	-------

d2	16 mm
----	-------

dn	4.4 mm
----	--------

Dmax(S)	38 mm
---------	-------

Ds	29 mm
----	-------

G1	G1/4"-M
----	---------

H	31 mm
---	-------

LG1	11 mm
-----	-------

SW1	17 mm
-----	-------

Z	9 mm
---	------

### Contact to Schmalz

J. Schmalz GmbH | Johannes-Schmalz-Straße, 72293 Glatten, Deutschland | +49 7443 2403-102 | [customercenter@schmalz.de](mailto:customercenter@schmalz.de)

## Technical Data

Attribute	Value
Curve radius (min) (convex)	40 mm
Size	33
Number of folds	1.5
Suction cup material	Natural Rubber NK
Material hardness	45 °Sh
Weight	15.6 g

---

---