

# Bellows suction cup (round)

<https://www.schmalz.com/10.01.06.01094>



## FGA-B 50 CR-60 N044

Part no.: 10.01.06.01094

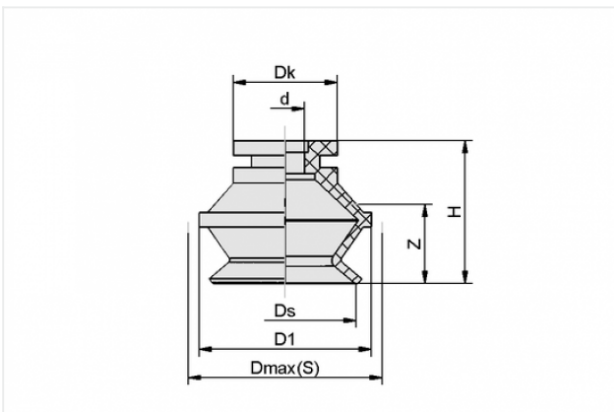
Homepage > Vacuum Technology for Automation > Vacuum Components > Vacuum Suction Cups > Bellows Suction Cups (Round) > FGA-B 50 CR-60 N044

### Bellows suction cup (round) with 1.5 bellows



Size: 50  
Number of folds: 1.5  
Suction cup material: Chloroprene CR  
Material hardness: 60 °Sh

#### Design Data



Attribute	Value
-----------	-------

d	10.4 mm
---	---------

D1	58 mm
----	-------

Dk	26 mm
----	-------

Dmax(S)	60 mm
---------	-------

Ds	50 mm
----	-------

H	35 mm
---	-------

Z	17 mm
---	-------

#### Technical Data

Attribute	Value
-----------	-------

Number of folds	1.5
-----------------	-----

#### Contact to Schmalz

J. Schmalz GmbH | Johannes-Schmalz-Straße, 72293 Glatten, Deutschland | +49 7443 2403-102 | [customercenter@schmalz.de](mailto:customercenter@schmalz.de)



<b>Attribute</b>	<b>Value</b>
Suction cup material	Chloroprene CR
Weight	21.6 g
Product family	FGA-B

---

---