

# Bellows suction cup (round)

<https://www.schmalz.com/10.01.06.01131>



## FSGA-B50 CR-50 G1/8-IG S

Part no.: 10.01.06.01131

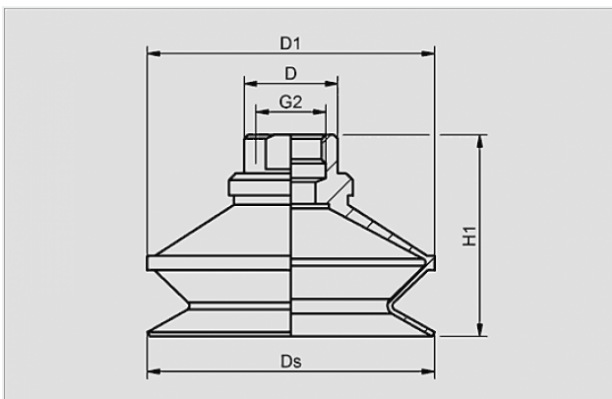
Homepage > Vacuum Technology for Automation > Vacuum Components > Vacuum Suction Cups > Bellows Suction Cups (Round) > Bellows Suction Cups FSGA-B (1.5 Folds) > FSGA-B50 CR-50 G1/8-IG S

### Bellows suction cup (round) with 1.5 bellows



Size: 50  
Suction cup material: Chloroprene CR  
Material hardness: 50 °Sh  
Vacuum connection: G1/8"-F  
Number of folds: 1.5  
Additional feature: Sieve

#### Design Data



Attribute	Value
-----------	-------

D	15 mm
D1	58 mm
Ds	50 mm
H1	43 mm

#### Technical Data

Attribute	Value
Number of folds	1.5
Suction force	48.2 N
Suction cup material	Chloroprene CR

#### Contact to Schmalz

J. Schmalz GmbH | Johannes-Schmalz-Straße, 72293 Glatten, Deutschland | +49 7443 2403-102 | [customercenter@schmalz.de](mailto:customercenter@schmalz.de)

Attribute	Value
Weight	34.6 g
Product family	FSGA-B

## Spare Parts



### SA-NIP G1/8-IG

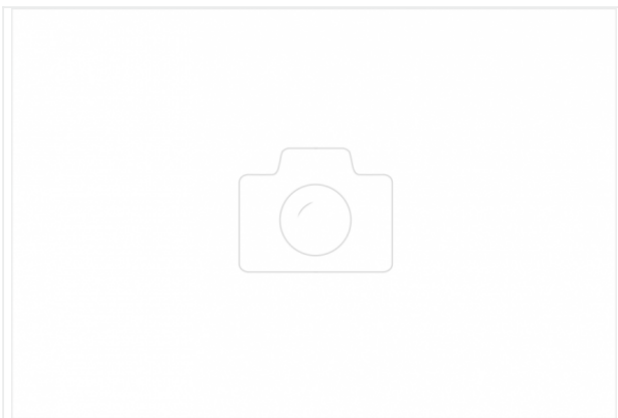
Part no. 10.01.01.10939

Suction cup connection nipple

Thread G1: G1/8-F

Fitting length: 15 mm

Material: Aluminium



### HUEL 14-10x9

Part no. 10.01.01.11024

Sleeve

External diameter D: 14 mm

Internal diameter d: 10 mm

Length L: 9 mm



**FGA-B 50 CR-60 N044**

Part no. 10.01.06.01094

Bellows suction cup (round) with 1.5 bellows

Size: 50

Number of folds: 1.5

Suction cup material: Chloroprene CR

Material hardness: 60 °Sh