

# Bellows suction cup (round)

<https://www.schmalz.com/10.01.06.01090>



## FGA-B 30 CR-60 N053

Part no.: 10.01.06.01090

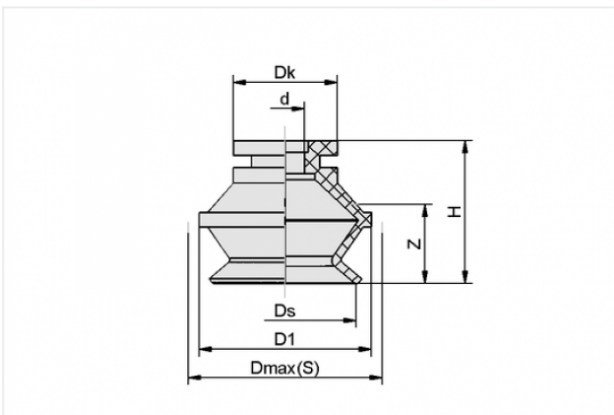
Homepage > Vacuum Technology for Automation > Vacuum Components > Vacuum Suction Cups > Bellows Suction Cups (Round) > FGA-B 30 CR-60 N053

### Bellows suction cup (round) with 1.5 bellows



Size: 30  
Number of folds: 1.5  
Suction cup material: Chloroprene CR  
Material hardness: 60 °Sh

#### Design Data



Attribute	Value
-----------	-------

d	5.4 mm
---	--------

D1	37 mm
----	-------

Dk	14.9 mm
----	---------

Dmax(S)	40 mm
---------	-------

Ds	30 mm
----	-------

H	26 mm
---	-------

Z	12 mm
---	-------

#### Technical Data

Attribute	Value
-----------	-------

Number of folds	1.5
-----------------	-----

#### Contact to Schmalz

J. Schmalz GmbH | Johannes-Schmalz-Straße, 72293 Glatten, Deutschland | +49 7443 2403-102 | [customercenter@schmalz.de](mailto:customercenter@schmalz.de)



Attribute	Value
Suction cup material	Chloroprene CR
Weight	7.4 g
Product family	FGA-B

---

---