

Bellows suction cup (round)

<https://www.schmalz.com/10.01.06.01089>



FGA-B 20 SI-50

Part no.: 10.01.06.01089

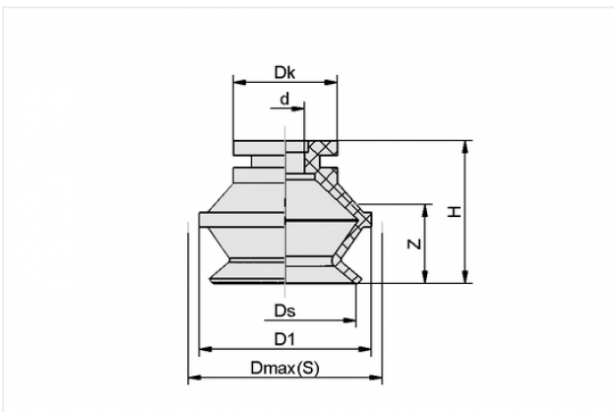
Homepage > Vacuum Technology for Automation > Vacuum Components > Vacuum Suction Cups > Bellows Suction Cups (Round) > FGA-B 20 SI-50

Bellows suction cup (round) with 1.5 bellows



Size: 20
Number of folds: 1.5
Suction cup material: Silicone SI
Material hardness: 50 °Sh

Design Data



Attribute	Value
-----------	-------

d	5.4 mm
---	--------

D1	24 mm
----	-------

Dk	14.3 mm
----	---------

Dmax(S)	28 mm
---------	-------

Ds	20 mm
----	-------

H	20 mm
---	-------

Z	11 mm
---	-------

Technical Data

Attribute	Value
-----------	-------

Number of folds	1.5
-----------------	-----

Contact to Schmalz

J. Schmalz GmbH | Johannes-Schmalz-Straße, 72293 Glatten, Deutschland | +49 7443 2403-102 | customercenter@schmalz.de



Attribute	Value
Suction cup material	Silicone SI
Weight	2.2 g
Product family	FGA-B
