

Bellows suction cup (round)

<https://www.schmalz.com/10.01.06.01120>



FSGA-B20 SI-50 G1/8-AG / M5-IG

Part no.: 10.01.06.01120

Homepage > Vacuum Technology for Automation > Vacuum Components > Vacuum Suction Cups > Bellows Suction Cups (Round) > Bellows

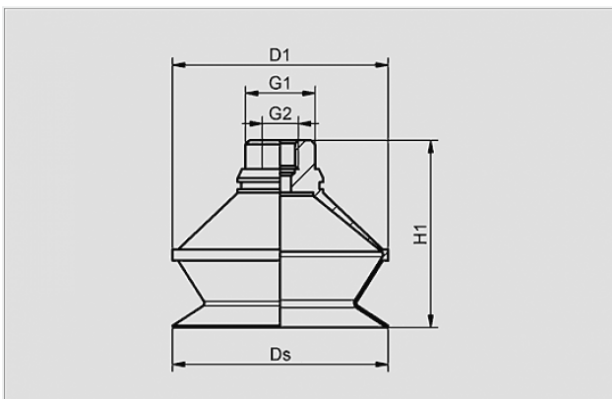
Suction Cups FSGA-B (1.5 Folds) > FSGA-B20 SI-50 G1/8-AG / M5-IG

Bellows suction cup (round) with 1.5 bellows



Size: 20
Suction cup material: Silicone SI
Material hardness: 50 °Sh
Vacuum connection: G1/8"-M
alt. Vacuum connection: M5-F
Number of folds: 1.5

Design Data



Attribute	Value
D1	24 mm
Ds	20 mm
G2	M5-F
H1	28.5 mm

Technical Data

Attribute	Value
Number of folds	1.5
Suction force	5.7 N
Suction cup material	Silicone SI

Contact to Schmalz

J. Schmalz GmbH | Johannes-Schmalz-Straße, 72293 Glatten, Deutschland | +49 7443 2403-102 | customercenter@schmalz.de

Attribute	Value
Weight	5.2 g
Product family	FSGA-B

Spare Parts



SA-NIP G1/8-AG

Part no. 10.01.01.10934

Suction cup connection nipple

Thread G1: G1/8-M

Fitting length: 14.5 mm

Material: Aluminium



FGA-B 20 SI-50

Part no. 10.01.06.01089

Bellows suction cup (round) with 1.5 bellows

Size: 20

Number of folds: 1.5

Suction cup material: Silicone SI

Material hardness: 50 °Sh