

Bellows suction cup (round)

<https://www.schmalz.com/10.01.06.01088>



FGA-B 20 CR-60

Part no.: 10.01.06.01088

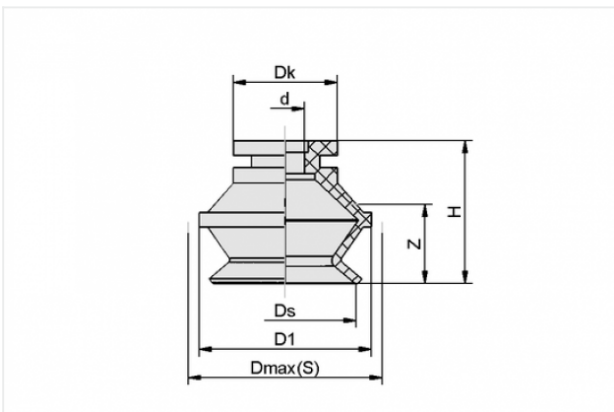
Homepage > Vacuum Technology for Automation > Vacuum Components > Vacuum Suction Cups > Bellows Suction Cups (Round) > FGA-B 20 CR-60

Bellows suction cup (round) with 1.5 bellows



Size: 20
Number of folds: 1.5
Suction cup material: Chloroprene CR
Material hardness: 60 °Sh

Design Data



Attribute	Value
-----------	-------

d	5.4 mm
---	--------

D1	24 mm
----	-------

Dk	14.3 mm
----	---------

Dmax(S)	28 mm
---------	-------

Ds	20 mm
----	-------

H	20 mm
---	-------

Z	11 mm
---	-------

Technical Data

Attribute	Value
-----------	-------

Number of folds	1.5
-----------------	-----

Contact to Schmalz

J. Schmalz GmbH | Johannes-Schmalz-Straße, 72293 Glatten, Deutschland | +49 7443 2403-102 | customercenter@schmalz.de



Attribute	Value
Suction cup material	Chloroprene CR
Weight	2.7 g
Product family	FGA-B
