

Bellows suction cup (round)

<https://www.schmalz.com/10.01.06.00237>



FSG 85 VU1-72 G1/4-IG

Part no.: 10.01.06.00237

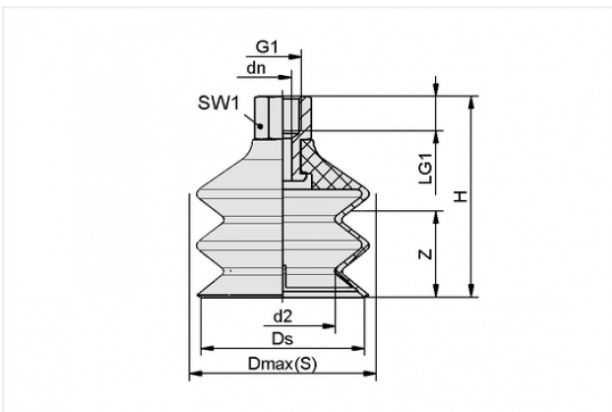
Homepage > Vacuum Technology for Automation > Vacuum Components > Vacuum Suction Cups > Bellows Suction Cups (Round) > Bellows Suction Cups FSG VU1 (2.5 Folds) > FSG 85 VU1-72 G1/4-IG

Bellows suction cup (round) for very uneven workpieces



Size: 85
Suction cup material: Vulkollan VU1
Material hardness: 72 °Sh
Nipple material: Aluminium
Vacuum connection: G1/4-F
Number of folds: 2.5

Design Data



Attribute	Value
-----------	-------

d2	51 mm
----	-------

dn	6 mm
----	------

Dmax(S)	90 mm
---------	-------

Ds	80.2 mm
----	---------

G1	G1/4"-F
----	---------

H	100 mm
---	--------

LG1	12 mm
-----	-------

SW1	22 mm
-----	-------

Z	38 mm
---	-------

Contact to Schmalz

J. Schmalz GmbH | Johannes-Schmalz-Straße, 72293 Glatten, Deutschland | +49 7443 2403-102 | customercenter@schmalz.de

Technical Data

Attribute	Value
Suction force	120 N
Pull-off force	250 N
Volume	201.282 cm ³
Curve radius (min) (convex)	60 mm
Internal hose diameter (recom.)	6 mm
Size	85
Nipple	N 015
Suction cup material	Vulkollan VU1
Material hardness	72 °Sh
Weight	145 g
Number of folds	2.5
Product family	FSG

Note:

- Suction force: The specified suction forces are theoretical values at a vacuum of -0.6 bar and with a smooth, dry workpiece surface - they do not include a safety factor
- Hose diameter: The recommended hose diameter refers to a hose length of approx. 2 m

Spare Parts

Contact to Schmalz



SA-NIP N015 G1/4-IG DN600

Part no. 10.01.06.00182

Suction cup connection nipple

Nipple: N 015

Thread G1: G1/4-F

Overall length: 37.5 mm

Fitting length: 15 mm

Nominal size: 6,00 mm

Material: Aluminium

Spanner size SW2: 6 mm



FG 85 VU1-72 N015

Part no. 10.01.06.00175

Bellows suction cup (round) for very uneven workpieces

Size: 85

Suction cup material: Vulkollan VU1

Material hardness: 72 °Sh

Number of folds: 2.5