

Bellows suction cup (round)

<https://www.schmalz.com/10.01.06.00175>



FG 85 VU1-72 N015

Part no.: 10.01.06.00175

Homepage > Vacuum Technology for Automation > Vacuum Components > Vacuum Suction Cups > FG 85 VU1-72 N015

Bellows suction cup (round) for very uneven workpieces



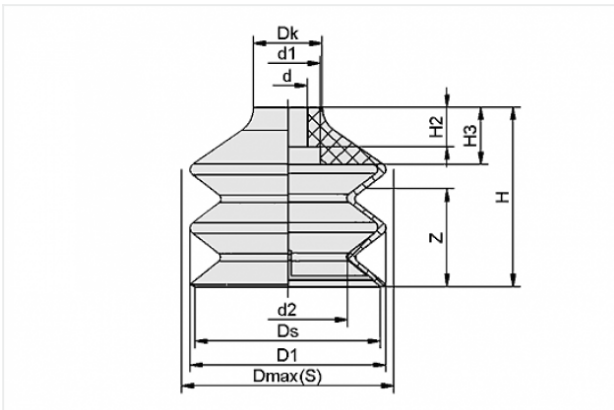
Size: 85

Suction cup material: Vulkollan VU1

Material hardness: 72 °Sh

Number of folds: 2.5

Design Data



Attribute	Value
-----------	-------

D1	85 mm
----	-------

Dk	25 mm
----	-------

Dmax(S)	90 mm
---------	-------

Ds	80.2 mm
----	---------

d	12 mm
---	-------

d1	25 mm
----	-------

d2	51 mm
----	-------

H	85 mm
---	-------

H2	20 mm
----	-------

H3	27 mm
----	-------

Z	45.5 mm
---	---------

Contact to Schmalz

J. Schmalz GmbH | Johannes-Schmalz-Straße, 72293 Glatten, Deutschland | +49 7443 2403-102 | customercenter@schmalz.de

Technical Data

Attribute	Value
Size	85
Suction force	120 N
Material hardness	72 °Sh
Pull-off force	250 N
Volume	201.282 cm ³
Curve radius (min) (convex)	60 mm
Suction cup material	Vulkollan VU1
Weight	115.2 g
Number of folds	2.5
Nipple	N 015
Product family	FG

Accessories



SA-NIP N015 G1/4-IG DN600

Part no. 10.01.06.00182

Suction cup connection nipple

Nipple: N 015

Thread G1: G1/4-F

Overall length: 37.5 mm

Fitting length: 15 mm

Nominal size: 6,00 mm

Material: Aluminium

Spanner size SW2: 6 mm



SA-NIP N015 G1/4-AG DN600

Part no. 10.01.06.00185

Suction cup connection nipple

Nipple: N 015

Thread G1: G1/4-M

Overall length: 37.5 mm

Fitting length: 5 mm

Nominal size: 6,00 mm

Material: Aluminium

Spanner size SW2: 6 mm