

Bellows suction cup (round)

<https://www.schmalz.com/10.01.06.00208>



FG 60 VU1-72 N014 ON

Part no.: 10.01.06.00208

Homepage > Vacuum Technology for Automation > Vacuum Components > Vacuum Suction Cups > Bellows Suction Cups (Round) > FG 60

VU1-72 N014 ON

Bellows suction cup (round) for very uneven workpieces



Size: 60

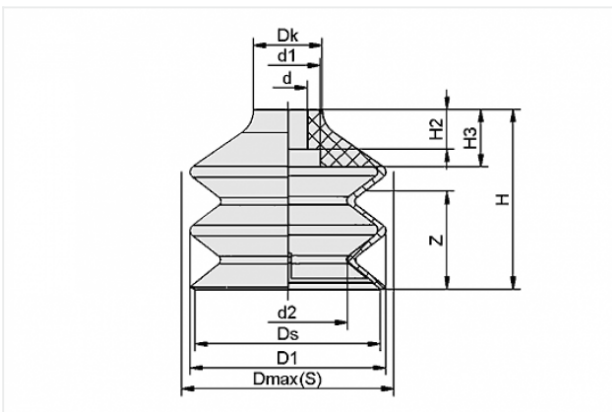
Suction cup material: Vulkollan VU1

Material hardness: 72 °Sh

Additional feature: Oil groove

Number of folds: 2.5

Design Data



Attribute	Value
-----------	-------

D1	60 mm
----	-------

Dk	21 mm
----	-------

Dmax(S)	62.5 mm
---------	---------

Ds	57 mm
----	-------

d	12 mm
---	-------

d1	20 mm
----	-------

d2	36 mm
----	-------

H	55 mm
---	-------

H2	12 mm
----	-------

H3	17.5 mm
----	---------

Z	30 mm
---	-------

Contact to Schmalz

J. Schmalz GmbH | Johannes-Schmalz-Straße, 72293 Glatten, Deutschland | +49 7443 2403-102 | customercenter@schmalz.de

Technical Data

Attribute	Value
Size	60
Suction force	61 N
Material hardness	72 °Sh
Pull-off force	100 N
Volume	66.755 cm ³
Curve radius (min) (convex)	40 mm
Suction cup material	Vulkollan VU1
Weight	38.8 g
Number of folds	2.5
Nipple	N 014
Product family	FG

Accessories



SA-NIP N014 G1/4-IG DN600

Part no. 10.01.06.00181

Suction cup connection nipple

Nipple: N 014

Thread G1: G1/4-F

Overall length: 29.5 mm

Fitting length: 15 mm

Nominal size: 6,00 mm

Material: Aluminium

Spanner size SW2: 6 mm



SA-NIP N014 G1/4-AG DN600

Part no. 10.01.06.00184

Suction cup connection nipple

Nipple: N 014

Thread G1: G1/4-M

Overall length: 29.5 mm

Fitting length: 5 mm

Nominal size: 6,00 mm

Material: Aluminium

Spanner size SW2: 6 mm