

Bellows suction cup (round)

<https://www.schmalz.com/10.01.06.00166>



FSG 30 VU1-72 G1/4-IG

Part no.: 10.01.06.00166

Homepage > Vacuum Technology for Automation > Vacuum Components > Vacuum Suction Cups > Bellows Suction Cups (Round) > Bellows

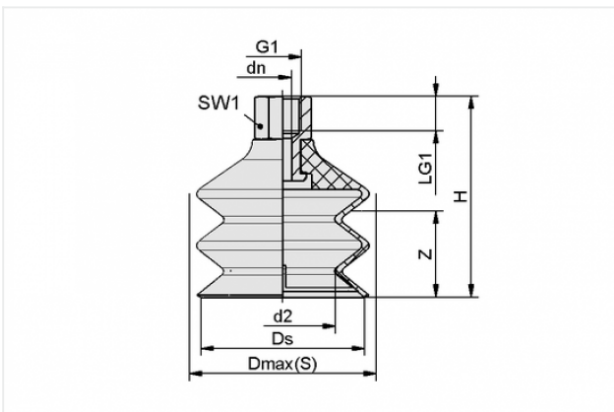
Suction Cups FSG VU1 (2.5 Folds) > FSG 30 VU1-72 G1/4-IG

Bellows suction cup (round) for very uneven workpieces



Size: 30
Suction cup material: Vulkollan VU1
Material hardness: 72 °Sh
Nipple material: Aluminium
Vacuum connection: G1/4-F
Number of folds: 2.5

Design Data



Attribute	Value
-----------	-------

d2	15 mm
dn	3.5 mm
Dmax(S)	31.5 mm
Ds	29 mm
G1	G1/4"-F
H	55 mm
LG1	12 mm
SW1	17 mm
Z	15 mm

Contact to Schmalz

J. Schmalz GmbH | Johannes-Schmalz-Straße, 72293 Glatten, Deutschland | +49 7443 2403-102 | customercenter@schmalz.de

Technical Data

Attribute	Value
Suction force	13.5 N
Pull-off force	32 N
Volume	8.5 cm ³
Curve radius (min) (convex)	25 mm
Internal hose diameter (recom.)	6 mm
Size	30
Nipple	N 013
Suction cup material	Vulkollan VU1
Material hardness	72 °Sh
Weight	16.6 g
Number of folds	2.5
Product family	FSG

Note:

- Suction force: The specified suction forces are theoretical values at a vacuum of -0.6 bar and with a smooth, dry workpiece surface - they do not include a safety factor
- Hose diameter: The recommended hose diameter refers to a hose length of approx. 2 m

Spare Parts

Contact to Schmalz



SA-NIP N013 G1/4-IG DN350

Part no. 10.01.06.00180

Suction cup connection nipple

Nipple: N 013

Thread G1: G1/4-F

Overall length: 28.5 mm

Fitting length: 15 mm

Nominal size: 3,50 mm

Material: Aluminium

Spanner size SW2: 5 mm



FG 30 VU1-72 N013

Part no. 10.01.06.00173

Bellows suction cup (round) for very uneven workpieces

Size: 30

Suction cup material: Vulkollan VU1

Material hardness: 72 °Sh

Number of folds: 2.5