

Bellows suction cup (round)

<https://www.schmalz.com/10.01.06.00173>



FG 30 VU1-72 N013

Part no.: 10.01.06.00173

Homepage > Vacuum Technology for Automation > Vacuum Components > Vacuum Suction Cups > Bellows Suction Cups (Round) > FG 30

VU1-72 N013

Bellows suction cup (round) for very uneven workpieces



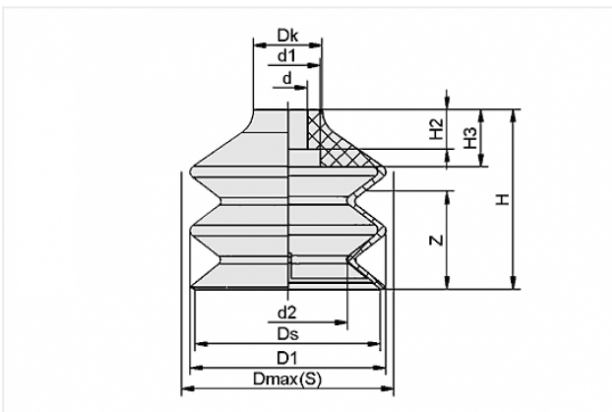
Size: 30

Suction cup material: Vulkollan VU1

Material hardness: 72 °Sh

Number of folds: 2.5

Design Data



Attribute	Value
-----------	-------

D1	30 mm
----	-------

Dk	18 mm
----	-------

Dmax(S)	31.5 mm
---------	---------

Ds	29 mm
----	-------

d	8 mm
---	------

d1	15 mm
----	-------

d2	15 mm
----	-------

H	40 mm
---	-------

H2	12 mm
----	-------

H3	16 mm
----	-------

Z	15 mm
---	-------

Contact to Schmalz

J. Schmalz GmbH | Johannes-Schmalz-Straße, 72293 Glatten, Deutschland | +49 7443 2403-102 | customercenter@schmalz.de

Technical Data

Attribute	Value
Size	30
Suction force	13.5 N
Material hardness	72 °Sh
Pull-off force	32 N
Volume	10.095 cm ³
Curve radius (min) (convex)	15 mm
Suction cup material	Vulkollan VU1
Weight	8.6 g
Number of folds	2.5
Nipple	N 013
Product family	FG

Accessories



SA-NIP N013 G1/4-AG DN350

Part no. 10.01.06.00183

Suction cup connection nipple

Nipple: N 013

Thread G1: G1/4-M

Overall length: 28.5 mm

Fitting length: 5 mm

Nominal size: 3,50 mm

Material: Aluminium

Spanner size SW2: 5 mm



SA-NIP N013 G1/4-IG DN350

Part no. 10.01.06.00180

Suction cup connection nipple

Nipple: N 013

Thread G1: G1/4-F

Overall length: 28.5 mm

Fitting length: 15 mm

Nominal size: 3,50 mm

Material: Aluminium

Spanner size SW2: 5 mm