

# Bellows suction cup (round)

<https://www.schmalz.com/10.01.06.00450>



## FSG 88 NK-45 G1/4-IG

Part no.: 10.01.06.00450

Homepage > Vacuum Technology for Automation > Vacuum Components > Vacuum Suction Cups > Bellows Suction Cups (Round) > Bellows

Suction Cups FSG (2.5 Folds) > FSG 88 NK-45 G1/4-IG

## Bellows suction cup (round) for very uneven workpieces



Size: 88

Suction cup material:

Natural Rubber NK

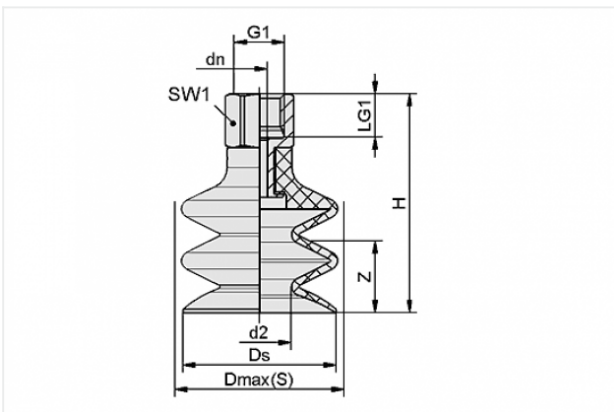
Material hardness: 45 °Sh

Nipple material: Aluminium

Vacuum connection: G1/4-F

Number of folds: 2.5

## Design Data



Attribute	Value
-----------	-------

d2	29.3 mm
----	---------

dn	8.2 mm
----	--------

Dmax(S)	95.5 mm
---------	---------

Ds	89 mm
----	-------

G1	G1/4"-F
----	---------

H	101.5 mm
---	----------

LG1	12 mm
-----	-------

SW1	21 mm
-----	-------

Z	34 mm
---	-------

## Contact to Schmalz

J. Schmalz GmbH | Johannes-Schmalz-Straße, 72293 Glatten, Deutschland | +49 7443 2403-102 | [customercenter@schmalz.de](mailto:customercenter@schmalz.de)

## Technical Data

Attribute	Value
Suction force	40.46 N
Pull-off force	286 N
Volume	143.668 cm <sup>3</sup>
Curve radius (min) (convex)	100 mm
Internal hose diameter (recom.)	9 mm
Size	88
Number of folds	2.5
Suction cup material	Natural Rubber NK
Material hardness	45 °Sh
Weight	180 g
Product family	FSG

### Note:

- Suction force: The specified suction forces are theoretical values at a vacuum of -0.6 bar and with a smooth, dry workpiece surface - they do not include a safety factor
- Pull-off force: The pull-off force of the versions made of natural rubber is reduced by about 40%
- Hose diameter: The recommended hose diameter refers to a hose length of approx. 2 m

## Spare Parts

### Contact to Schmalz



**SA-NIP N019 G1/4-IG DN820**

Part no. 10.01.06.01960

Suction cup connection nipple

Nipple: N 019

Thread G1: G1/4-F

Overall length: 38 mm

Fitting length: 15 mm

Nominal size: 8,20 mm

Material: Aluminium

Spanner size SW2: 8 mm



**FG 88 NK-45 N019**

Part no. 10.01.06.00460

Bellows suction cup (round) for very uneven workpieces

Size: 88

Suction cup material:

Natural Rubber NK

Material hardness: 45 °Sh

Number of folds: 2.5

**Accessories**



**SU 70**

Part no. 10.01.01.12838

Cover for suction cup

Size: 70

Clamping range: 65.0 ... 80.0 mm

Temperature resistance: 80 °C



**DR 88/64x5 MOS SI-15**

Part no. 10.01.06.02620

Gasket made from special foam for optimal sealing of structured surfaces

External diameter D: 88 mm

Internal diameter d: 64 mm

Height H: 5 mm

Material-Type: Foam rubber

Sealing material: Silicone SI

Material hardness: 15 °Sh