

Bellows suction cup (round)

<https://www.schmalz.com/10.01.06.00008>



FSG 62 NBR-55 G1/4-IG

Part no.: 10.01.06.00008

Homepage > Vacuum Technology for Automation > Vacuum Components > Vacuum Suction Cups > Bellows Suction Cups (Round) > Bellows

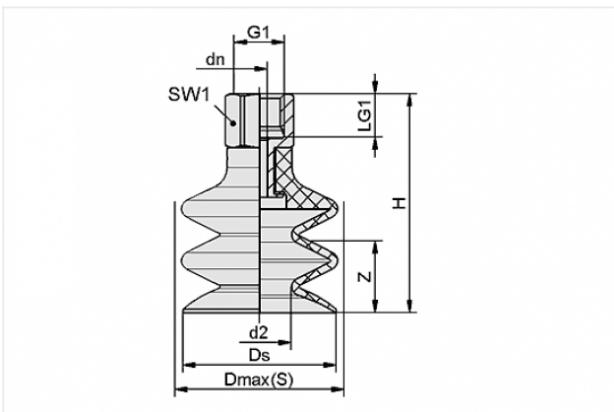
Suction Cups FSG (2.5 Folds) > FSG 62 NBR-55 G1/4-IG

Bellows suction cup (round) for very uneven workpieces



Size: 62
Suction cup material:
Nitrile rubber NBR
Material hardness: 55 °Sh
Nipple material: Aluminium
Vacuum connection: G1/4-F
Number of folds: 2.5

Design Data



| Attribute | Value |
|-----------|-------|
|-----------|-------|

| | |
|----|---------|
| d2 | 29.5 mm |
|----|---------|

| | |
|----|--------|
| dn | 4.4 mm |
|----|--------|

| | |
|---------|-------|
| Dmax(S) | 65 mm |
|---------|-------|

| | |
|----|---------|
| Ds | 62.2 mm |
|----|---------|

| | |
|----|---------|
| G1 | G1/4"-F |
|----|---------|

| | |
|---|-------|
| H | 69 mm |
|---|-------|

| | |
|-----|-------|
| LG1 | 12 mm |
|-----|-------|

| | |
|-----|-------|
| SW1 | 17 mm |
|-----|-------|

| | |
|---|-------|
| Z | 29 mm |
|---|-------|

Contact to Schmalz

J. Schmalz GmbH | Johannes-Schmalz-Straße, 72293 Glatten, Deutschland | +49 7443 2403-102 | customercenter@schmalz.de

Technical Data

| Attribute | Value |
|---------------------------------|----------------------|
| Suction force | 41.01 N |
| Pull-off force | 137 N |
| Volume | 72.5 cm ³ |
| Curve radius (min) (convex) | 75 mm |
| Internal hose diameter (recom.) | 6 mm |
| Size | 62 |
| Number of folds | 2.5 |
| Suction cup material | Nitrile rubber NBR |
| Material hardness | 55 °Sh |
| Weight | 59 g |
| Product family | FSG |

Note:

- Suction force: The specified suction forces are theoretical values at a vacuum of -0.6 bar and with a smooth, dry workpiece surface - they do not include a safety factor
- Pull-off force: The pull-off force of the versions made of natural rubber is reduced by about 40%
- Hose diameter: The recommended hose diameter refers to a hose length of approx. 2 m

Spare Parts

Contact to Schmalz



SA-NIP N018 G1/4-IG DN440

Part no. 10.01.06.01066

Suction cup connection nipple

Nipple: N 018

Thread G1: G1/4-F

Overall length: 28.8 mm

Fitting length: 15 mm

Nominal size: 4,40 mm

Material: Aluminium

Spanner size SW2: 5 mm



FG 62 NBR-55 N018

Part no. 10.01.06.00142

Bellows suction cup (round) for very uneven workpieces

Size: 62

Suction cup material:

Nitrile rubber NBR

Material hardness: 55 °Sh

Number of folds: 2.5

Accessories



SU 70

Part no. 10.01.01.12838

Cover for suction cup

Size: 70

Clamping range: 65.0 ... 80.0 mm

Temperature resistance: 80 °C



DR 62/42x5 MOS SI-15

Part no. 10.01.06.02617

Gasket made from special foam for optimal sealing of structured surfaces

External diameter D: 62 mm

Internal diameter d: 42 mm

Height H: 5 mm

Material-Type: Foam rubber

Sealing material: Silicone SI

Material hardness: 15 °Sh