

Bellows suction cup (round)

<https://www.schmalz.com/10.01.06.02481>



FSG 62 HT1-60 G1/4-IG

Part no.: 10.01.06.02481

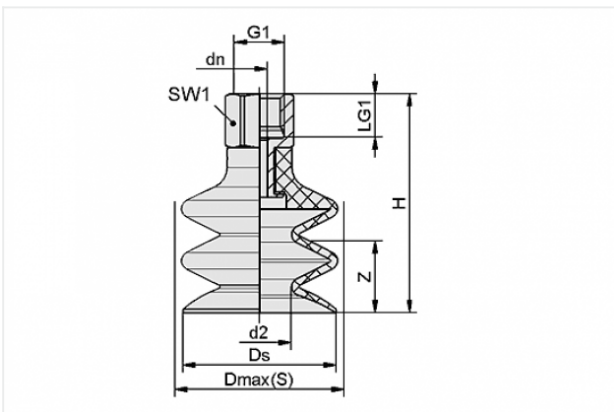
Homepage > Vacuum Technology for Automation > Vacuum Components > Vacuum Suction Cups > Bellows Suction Cups (Round) > Bellows Suction Cups FSG (2.5 Folds) > FSG 62 HT1-60 G1/4-IG

Bellows suction cup (round) for very uneven workpieces



Size: 62
Suction cup material:
High temp material HT1
Material hardness: 60 °Sh
Material property: imprint-free
Nipple material: Aluminium
Vacuum connection: G1/4-F
Number of folds: 2.5

Design Data



Attribute	Value
-----------	-------

d2	29.5 mm
----	---------

dn	4.4 mm
----	--------

Dmax(S)	65 mm
---------	-------

Ds	62.2 mm
----	---------

G1	G1/4"-F
----	---------

H	70 mm
---	-------

LG1	12 mm
-----	-------

SW1	17 mm
-----	-------

Z	29 mm
---	-------

Contact to Schmalz

J. Schmalz GmbH | Johannes-Schmalz-Straße, 72293 Glatten, Deutschland | +49 7443 2403-102 | customercenter@schmalz.de

Technical Data

Attribute	Value
Suction force	41.01 N
Pull-off force	137 N
Volume	72.5 cm ³
Curve radius (min) (convex)	75 mm
Internal hose diameter (recom.)	6 mm
Size	62
Number of folds	2.5
Suction cup material	High temp material HT1
Material hardness	60 °Sh
Weight	59 g
Product family	FSG

Note:

- Suction force: The specified suction forces are theoretical values at a vacuum of -0.6 bar and with a smooth, dry workpiece surface - they do not include a safety factor
- Pull-off force: The pull-off force of the versions made of natural rubber is reduced by about 40%
- Hose diameter: The recommended hose diameter refers to a hose length of approx. 2 m

Spare Parts

Contact to Schmalz

**SA-NIP N018 G1/4-IG DN440**

Part no. 10.01.06.01066

Suction cup connection nipple

Nipple: N 018

Thread G1: G1/4-F

Overall length: 28.8 mm

Fitting length: 15 mm

Nominal size: 4,40 mm

Material: Aluminium

Spanner size SW2: 5 mm

**FG 62 HT1-60 N018**

Part no. 10.01.06.02475

Bellows suction cup (round) for very uneven workpieces

Size: 62

Suction cup material:

High temp material HT1

Material hardness: 60 °Sh

Number of folds: 2.5

Material property: imprint-free

Accessories**SU 70**

Part no. 10.01.01.12838

Cover for suction cup

Size: 70

Clamping range: 65.0 ... 80.0 mm

Temperature resistance: 80 °C



DR 62/42x5 MOS SI-15

Part no. 10.01.06.02617

Gasket made from special foam for optimal sealing of structured surfaces

External diameter D: 62 mm

Internal diameter d: 42 mm

Height H: 5 mm

Material-Type: Foam rubber

Sealing material: Silicone SI

Material hardness: 15 °Sh