

Bellows suction cup (round)

<https://www.schmalz.com/10.01.06.00587>



FSG 52 SI-55 G1/4-IG

Part no.: 10.01.06.00587

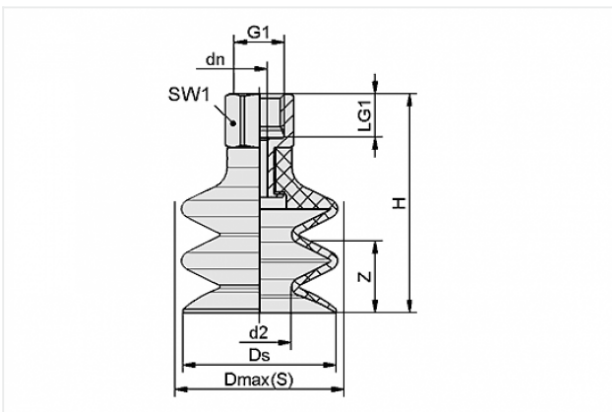
Homepage > Vacuum Technology for Automation > Vacuum Components > Vacuum Suction Cups > Bellows Suction Cups (Round) > Bellows Suction Cups FSG (2.5 Folds) > FSG 52 SI-55 G1/4-IG

Bellows suction cup (round) for very uneven workpieces



Size: 52
Suction cup material: Silicone SI
Material hardness: 55 °Sh
Material characteristics:
FDA-compatible
Nipple material: Aluminium
Vacuum connection: G1/4-F
Number of folds: 2.5

Design Data



Attribute	Value
-----------	-------

d2	24.6 mm
----	---------

dn	4.4 mm
----	--------

Dmax(S)	55 mm
---------	-------

Ds	52.5 mm
----	---------

G1	G1/4"-F
----	---------

H	63.7 mm
---	---------

LG1	12 mm
-----	-------

SW1	17 mm
-----	-------

Z	25 mm
---	-------

Contact to Schmalz

J. Schmalz GmbH | Johannes-Schmalz-Straße, 72293 Glatten, Deutschland | +49 7443 2403-102 | customercenter@schmalz.de

Technical Data

Attribute	Value
Suction force	28.52 N
Pull-off force	96 N
Volume	35 cm ³
Curve radius (min) (convex)	75 mm
Internal hose diameter (recom.)	6 mm
Size	52
Number of folds	2.5
Suction cup material	Silicone SI
Material hardness	55 °Sh
Weight	32 g
Product family	FSG

Note:

- Suction force: The specified suction forces are theoretical values at a vacuum of -0.6 bar and with a smooth, dry workpiece surface - they do not include a safety factor
- Pull-off force: The pull-off force of the versions made of natural rubber is reduced by about 40%
- Hose diameter: The recommended hose diameter refers to a hose length of approx. 2 m

Spare Parts

Contact to Schmalz

**SA-NIP N018 G1/4-IG DN440**

Part no. 10.01.06.01066

Suction cup connection nipple

Nipple: N 018

Thread G1: G1/4-F

Overall length: 28.8 mm

Fitting length: 15 mm

Nominal size: 4,40 mm

Material: Aluminium

Spanner size SW2: 5 mm

**FG 52 SI-55 N018**

Part no. 10.01.06.00585

Bellows suction cup (round) for very uneven workpieces

Size: 52

Suction cup material: Silicone SI

Material hardness: 55 °Sh

Material characteristics:

FDA-compatible

Number of folds: 2.5

Accessories**FD 44 120**

Part no. 10.01.06.02573

Filter disc

External diameter D: 44 mm

Filter pore size: 120 µm

for: Bellows suction pad

Size: FG52

**SU 50**

Part no. 10.01.01.12837

Cover for suction cup

Size: 50

Clamping range: 45.0 ... 60.0 mm

Temperature resistance: 80 °C

**DR 52/33x5 MOS SI-15**

Part no. 10.01.06.02548

Gasket made from special foam for optimal sealing of structured surfaces

External diameter D: 52 mm

Internal diameter d: 33 mm

Height H: 5 mm

Material-Type: Foam rubber

Sealing material: Silicone SI

Material hardness: 15 °Sh