

Bellows suction cup (round)

<https://www.schmalz.com/10.01.06.00446>



FSG 42 NK-45 G1/4-IG

Part no.: 10.01.06.00446

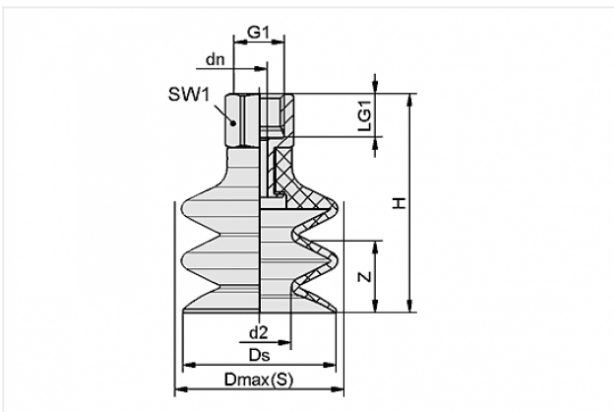
Homepage > Vacuum Technology for Automation > Vacuum Components > Vacuum Suction Cups > Bellows Suction Cups (Round) > Bellows Suction Cups FSG (2.5 Folds) > FSG 42 NK-45 G1/4-IG

Bellows suction cup (round) for very uneven workpieces



Size: 42
Suction cup material:
Natural Rubber NK
Material hardness: 45 °Sh
Nipple material: Aluminium
Vacuum connection: G1/4-F
Number of folds: 2.5

Design Data



Attribute	Value
-----------	-------

d2	17.8 mm
----	---------

dn	4.4 mm
----	--------

Dmax(S)	45 mm
---------	-------

Ds	42.6 mm
----	---------

G1	G1/4"-F
----	---------

H	61 mm
---	-------

LG1	12 mm
-----	-------

SW1	17 mm
-----	-------

Z	20 mm
---	-------

Contact to Schmalz

J. Schmalz GmbH | Johannes-Schmalz-Straße, 72293 Glatten, Deutschland | +49 7443 2403-102 | customercenter@schmalz.de

Technical Data

Attribute	Value
Suction force	14.93 N
Pull-off force	44 N
Volume	19.786 cm ³
Curve radius (min) (convex)	75 mm
Internal hose diameter (recom.)	6 mm
Size	42
Number of folds	2.5
Suction cup material	Natural Rubber NK
Material hardness	45 °Sh
Weight	27 g
Product family	FSG

Note:

- Suction force: The specified suction forces are theoretical values at a vacuum of -0.6 bar and with a smooth, dry workpiece surface - they do not include a safety factor
- Pull-off force: The pull-off force of the versions made of natural rubber is reduced by about 40%
- Hose diameter: The recommended hose diameter refers to a hose length of approx. 2 m

Spare Parts

Contact to Schmalz



SA-NIP N018 G1/4-IG DN440

Part no. 10.01.06.01066

Suction cup connection nipple

Nipple: N 018

Thread G1: G1/4-F

Overall length: 28.8 mm

Fitting length: 15 mm

Nominal size: 4,40 mm

Material: Aluminium

Spanner size SW2: 5 mm



FG 42 NK-45 N018

Part no. 10.01.06.00458

Bellows suction cup (round) for very uneven workpieces

Size: 42

Suction cup material:

Natural Rubber NK

Material hardness: 45 °Sh

Number of folds: 2.5

Accessories



FD 34 120

Part no. 10.01.06.02572

Filter disc

External diameter D: 34 mm

Filter pore size: 120 µm

for: Bellows suction pad

Size: FG42

**SU 40**

Part no. 10.01.01.12856

Cover for suction cup

Size: 40

Clamping range: 35.0 ... 45.0 mm

Temperature resistance: 80 °C

**DR 42/20x5 MOS SI-15**

Part no. 10.01.06.02616

Gasket made from special foam for optimal sealing of structured surfaces

External diameter D: 42 mm

Internal diameter d: 20 mm

Height H: 5 mm

Material-Type: Foam rubber

Sealing material: Silicone SI

Material hardness: 15 °Sh