

Bellows suction cup (round)

<https://www.schmalz.com/10.01.06.00444>



FSG 32 NK-45 G1/4-IG

Part no.: 10.01.06.00444

Homepage > Vacuum Technology for Automation > Vacuum Components > Vacuum Suction Cups > Bellows Suction Cups (Round) > Bellows

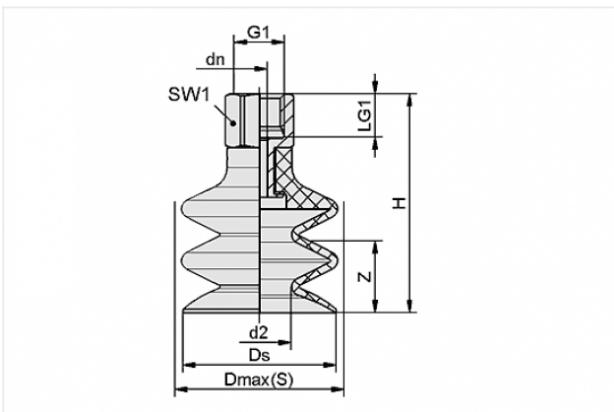
Suction Cups FSG (2.5 Folds) > FSG 32 NK-45 G1/4-IG

Bellows suction cup (round) for very uneven workpieces



Size: 32
Suction cup material:
Natural Rubber NK
Material hardness: 45 °Sh
Nipple material: Aluminium
Vacuum connection: G1/4-F
Number of folds: 2.5

Design Data



| Attribute | Value |
|-----------|-------|
|-----------|-------|

| | |
|----|-------|
| d2 | 16 mm |
|----|-------|

| | |
|----|--------|
| dn | 4.4 mm |
|----|--------|

| | |
|---------|---------|
| Dmax(S) | 33.5 mm |
|---------|---------|

| | |
|----|-------|
| Ds | 32 mm |
|----|-------|

| | |
|----|---------|
| G1 | G1/4"-F |
|----|---------|

| | |
|---|---------|
| H | 52.5 mm |
|---|---------|

| | |
|-----|-------|
| LG1 | 12 mm |
|-----|-------|

| | |
|-----|-------|
| SW1 | 17 mm |
|-----|-------|

| | |
|---|-------|
| Z | 15 mm |
|---|-------|

Contact to Schmalz

J. Schmalz GmbH | Johannes-Schmalz-Straße, 72293 Glatten, Deutschland | +49 7443 2403-102 | customercenter@schmalz.de

Technical Data

| Attribute | Value |
|---------------------------------|--------------------|
| Suction force | 12.06 N |
| Pull-off force | 36.9 N |
| Volume | 10 cm ³ |
| Curve radius (min) (convex) | 35 mm |
| Internal hose diameter (recom.) | 4 mm |
| Size | 32 |
| Number of folds | 2.5 |
| Suction cup material | Natural Rubber NK |
| Material hardness | 45 °Sh |
| Weight | 18 g |
| Product family | FSG |

Note:

- Suction force: The specified suction forces are theoretical values at a vacuum of -0.6 bar and with a smooth, dry workpiece surface - they do not include a safety factor
- Pull-off force: The pull-off force of the versions made of natural rubber is reduced by about 40%
- Hose diameter: The recommended hose diameter refers to a hose length of approx. 2 m

Spare Parts

Contact to Schmalz



SA-NIP N018 G1/4-IG DN440

Part no. 10.01.06.01066

Suction cup connection nipple

Nipple: N 018

Thread G1: G1/4-F

Overall length: 28.8 mm

Fitting length: 15 mm

Nominal size: 4,40 mm

Material: Aluminium

Spanner size SW2: 5 mm



FG 32 NK-45 N018

Part no. 10.01.06.00457

Bellows suction cup (round) for very uneven workpieces

Size: 32

Suction cup material:

Natural Rubber NK

Material hardness: 45 °Sh

Number of folds: 2.5

Accessories



FD 27 120

Part no. 10.01.06.02571

Filter disc

External diameter D: 27 mm

Filter pore size: 120 µm

for: Bellows suction pad

Size: FG32

**SPI 32 PEEK**

Part no. 10.01.06.03287

Insert disc for preventing film from being drawn in

Size: 32

Material: Polyetheretherketon

Application: FG32/FGA33

**SU 30**

Part no. 10.01.01.12889

Cover for suction cup

Size: 30

Clamping range: 27.0 ... 35.0 mm

Temperature resistance: 80 °C

**DR 32/19x2 MOS SI-15**

Part no. 10.01.06.02615

Gasket made from special foam for optimal sealing of structured surfaces

External diameter D: 32 mm

Internal diameter d: 19 mm

Height H: 2 mm

Material-Type: Foam rubber

Sealing material: Silicone SI

Material hardness: 15 °Sh