

Bellows suction cup (round)

<https://www.schmalz.com/10.01.06.01241>



FSG 32 HT1-60 G1/4-AG

Part no.: 10.01.06.01241

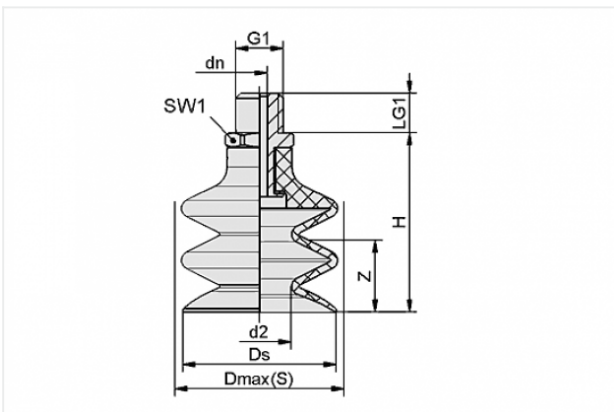
Homepage > Vacuum Technology for Automation > Vacuum Components > Vacuum Suction Cups > Bellows Suction Cups (Round) > Bellows Suction Cups FSG (2.5 Folds) > FSG 32 HT1-60 G1/4-AG

Bellows suction cup (round) for very uneven workpieces



Size: 32
Suction cup material:
High temp material HT1
Material hardness: 60 °Sh
Material property: imprint-free
Nipple material: Aluminium
Vacuum connection: G1/4-M
Number of folds: 2.5

Design Data



Attribute	Value
-----------	-------

d2	16 mm
----	-------

dn	4.4 mm
----	--------

Dmax(S)	33.5 mm
---------	---------

Ds	32 mm
----	-------

G1	G1/4"-M
----	---------

H	41.5 mm
---	---------

LG1	11 mm
-----	-------

SW1	17 mm
-----	-------

Z	15 mm
---	-------

Contact to Schmalz

J. Schmalz GmbH | Johannes-Schmalz-Straße, 72293 Glatten, Deutschland | +49 7443 2403-102 | customercenter@schmalz.de

Technical Data

Attribute	Value
Suction force	12.06 N
Pull-off force	36.9 N
Volume	9.768 cm ³
Curve radius (min) (convex)	35 mm
Internal hose diameter (recom.)	6 mm
Size	32
Number of folds	2.5
Suction cup material	High temp material HT1
Material hardness	60 °Sh
Weight	17 g
Product family	FSG

Note:

- Suction force: The specified suction forces are theoretical values at a vacuum of -0.6 bar and with a smooth, dry workpiece surface - they do not include a safety factor
- Pull-off force: The pull-off force of the versions made of natural rubber is reduced by about 40%
- Hose diameter: The recommended hose diameter refers to a hose length of approx. 2 m

Spare Parts

Contact to Schmalz

**SA-NIP N018 G1/4-AG DN440**

Part no. 10.01.06.01065

Suction cup connection nipple

Nipple: N 018

Thread G1: G1/4-M

Overall length: 28.8 mm

Fitting length: 4 mm

Nominal size: 4,40 mm

Material: Aluminium

Spanner size SW2: 5 mm

**FG 32 HT1-60 N018**

Part no. 10.01.06.01254

Bellows suction cup (round) for very uneven workpieces

Size: 32

Suction cup material:

High temp material HT1

Material hardness: 60 °Sh

Number of folds: 2.5

Material property: imprint-free

Accessories**FD 27 120**

Part no. 10.01.06.02571

Filter disc

External diameter D: 27 mm

Filter pore size: 120 µm

for: Bellows suction pad

Size: FG32

**SPI 32 PEEK**

Part no. 10.01.06.03287

Insert disc for preventing film from being drawn in

Size: 32

Material: Polyetheretherketon

Application: FG32/FGA33

**SU 30**

Part no. 10.01.01.12889

Cover for suction cup

Size: 30

Clamping range: 27.0 ... 35.0 mm

Temperature resistance: 80 °C

**DR 32/19x2 MOS SI-15**

Part no. 10.01.06.02615

Gasket made from special foam for optimal sealing of structured surfaces

External diameter D: 32 mm

Internal diameter d: 19 mm

Height H: 2 mm

Material-Type: Foam rubber

Sealing material: Silicone SI

Material hardness: 15 °Sh