

Bellows suction cup (round)

<https://www.schmalz.com/10.01.06.00442>



FSG 25 NK-45 G1/8-IG

Part no.: 10.01.06.00442

Homepage > Vacuum Technology for Automation > Vacuum Components > Vacuum Suction Cups > Bellows Suction Cups (Round) > Bellows

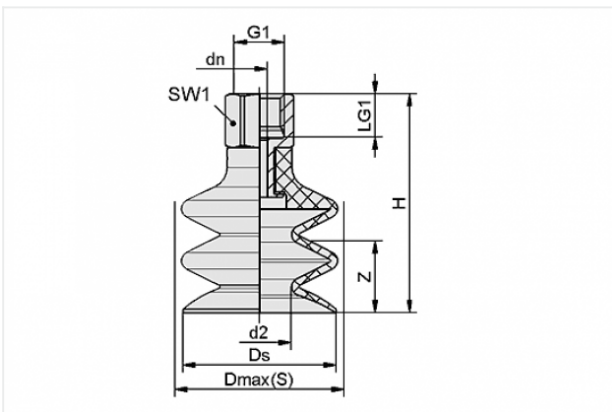
Suction Cups FSG (2.5 Folds) > FSG 25 NK-45 G1/8-IG

Bellows suction cup (round) for very uneven workpieces



Size: 25
Suction cup material:
Natural Rubber NK
Material hardness: 45 °Sh
Nipple material: Aluminium
Vacuum connection: G1/8-F
Number of folds: 2.5

Design Data



Attribute	Value
-----------	-------

d2	10 mm
dn	3.5 mm
Dmax(S)	26 mm
Ds	23 mm
G1	G1/8"-F
H	46 mm
LG1	8 mm
SW1	14 mm
Z	18 mm

Contact to Schmalz

J. Schmalz GmbH | Johannes-Schmalz-Straße, 72293 Glatten, Deutschland | +49 7443 2403-102 | customercenter@schmalz.de

Technical Data

Attribute	Value
Suction force	4.71 N
Pull-off force	19 N
Volume	5.222 cm ³
Curve radius (min) (convex)	30 mm
Internal hose diameter (recom.)	4 mm
Size	25
Number of folds	2.5
Suction cup material	Natural Rubber NK
Material hardness	45 °Sh
Weight	9 g
Product family	FSG

Note:

- Suction force: The specified suction forces are theoretical values at a vacuum of -0.6 bar and with a smooth, dry workpiece surface - they do not include a safety factor
- Pull-off force: The pull-off force of the versions made of natural rubber is reduced by about 40%
- Hose diameter: The recommended hose diameter refers to a hose length of approx. 2 m

Spare Parts

Contact to Schmalz



SA-NIP N016 G1/8-IG DN350

Part no. 10.01.06.05731

Suction cup connection nipple

Nipple: N 016

Thread G1: G1/8-F

Overall length: 18.5 mm

Fitting length: 12 mm

Nominal size: 3,50 mm

Material: Aluminium



FG 25 NK-45 N016

Part no. 10.01.06.00456

Bellows suction cup (round) for very uneven workpieces

Size: 25

Suction cup material:

Natural Rubber NK

Material hardness: 45 °Sh

Number of folds: 2.5

Accessories



FD 18 120

Part no. 10.01.06.02567

Filter disc

External diameter D: 18 mm

Filter pore size: 120 µm

for: Bellows suction pad

Size: FG25/FGA25

**SPI 25 PEEK**

Part no. 10.01.06.03286

Insert disc for preventing film from being drawn in

Size: 25

Material: Polyetheretherketon

Application: FG25/FGA25

**DR 22.5/13x2 MOS SI-15**

Part no. 10.01.06.02614

Gasket made from special foam for optimal sealing of structured surfaces

External diameter D: 22.5 mm

Internal diameter d: 13 mm

Height H: 2 mm

Material-Type: Foam rubber

Sealing material: Silicone SI

Material hardness: 15 °Sh