

# Bellows suction cup (round)

<https://www.schmalz.com/10.01.06.00443>



## FSG 25 NK-45 G1/8-AG

Part no.: 10.01.06.00443

Homepage > Vacuum Technology for Automation > Vacuum Components > Vacuum Suction Cups > Bellows Suction Cups (Round) > Bellows

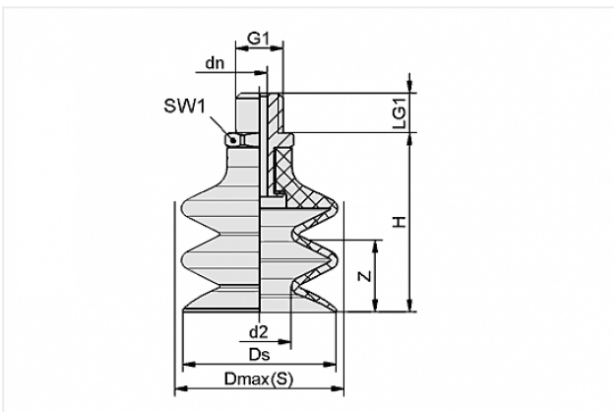
Suction Cups FSG (2.5 Folds) > FSG 25 NK-45 G1/8-AG

## Bellows suction cup (round) for very uneven workpieces



Size: 25  
Suction cup material:  
Natural Rubber NK  
Material hardness: 45 °Sh  
Nipple material: Aluminium  
Vacuum connection: G1/8-M  
Number of folds: 2.5

## Design Data



Attribute	Value
-----------	-------

d2	10 mm
----	-------

dn	3.5 mm
----	--------

Dmax(S)	26 mm
---------	-------

Ds	23 mm
----	-------

G1	G1/8"-M
----	---------

H	40 mm
---	-------

LG1	7.5 mm
-----	--------

SW1	14 mm
-----	-------

Z	18 mm
---	-------

## Contact to Schmalz

J. Schmalz GmbH | Johannes-Schmalz-Straße, 72293 Glatten, Deutschland | +49 7443 2403-102 | [customercenter@schmalz.de](mailto:customercenter@schmalz.de)

## Technical Data

Attribute	Value
Suction force	4.71 N
Pull-off force	19 N
Volume	5.222 cm <sup>3</sup>
Curve radius (min) (convex)	30 mm
Internal hose diameter (recom.)	4 mm
Size	25
Number of folds	2.5
Suction cup material	Natural Rubber NK
Material hardness	45 °Sh
Weight	8 g
Product family	FSG

### Note:

- Suction force: The specified suction forces are theoretical values at a vacuum of -0.6 bar and with a smooth, dry workpiece surface - they do not include a safety factor
- Pull-off force: The pull-off force of the versions made of natural rubber is reduced by about 40%
- Hose diameter: The recommended hose diameter refers to a hose length of approx. 2 m

## Spare Parts

### Contact to Schmalz

**SA-NIP N016 G1/8-AG DN350**

Part no. 10.01.06.05735

Suction cup connection nipple

Nipple: N 016

Thread G1: G1/8-M

Overall length: 20 mm

Fitting length: 6 mm

Nominal size: 3,50 mm

Material: Aluminium

**FG 25 NK-45 N016**

Part no. 10.01.06.00456

Bellows suction cup (round) for very uneven workpieces

Size: 25

Suction cup material:

Natural Rubber NK

Material hardness: 45 °Sh

Number of folds: 2.5

**Accessories****FD 18 120**

Part no. 10.01.06.02567

Filter disc

External diameter D: 18 mm

Filter pore size: 120 µm

for: Bellows suction pad

Size: FG25/FGA25



**SPI 25 PEEK**

Part no. 10.01.06.03286

Insert disc for preventing film from being drawn in

Size: 25

Material: Polyetheretherketon

Application: FG25/FGA25



**DR 22.5/13x2 MOS SI-15**

Part no. 10.01.06.02614

Gasket made from special foam for optimal sealing of structured surfaces

External diameter D: 22.5 mm

Internal diameter d: 13 mm

Height H: 2 mm

Material-Type: Foam rubber

Sealing material: Silicone SI

Material hardness: 15 °Sh