

# Bellows suction cup (round)

<https://www.schmalz.com/10.01.06.01240>



## FSG 20 HT1-60 M5-AG

Part no.: 10.01.06.01240

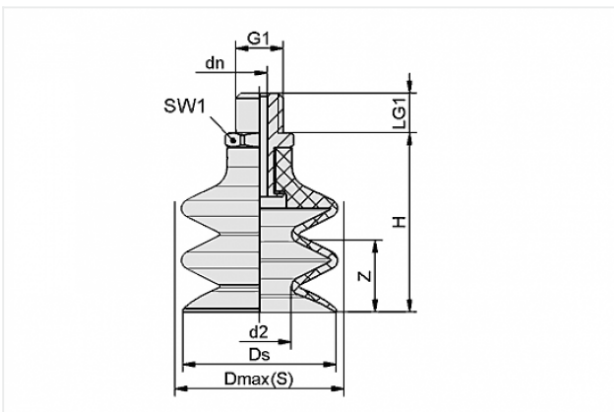
Homepage > Vacuum Technology for Automation > Vacuum Components > Vacuum Suction Cups > Bellows Suction Cups (Round) > Bellows Suction Cups FSG (2.5 Folds) > FSG 20 HT1-60 M5-AG

### Bellows suction cup (round) for very uneven workpieces



Size: 20  
Suction cup material:  
High temp material HT1  
Material hardness: 60 °Sh  
Material property: imprint-free  
Nipple material: Aluminium  
Vacuum connection: M5-M  
Number of folds: 2.5

### Design Data



Attribute	Value
d2	10.5 mm
dn	2.5 mm
Dmax(S)	21 mm
Ds	20 mm
G1	M5-M
H	27.1 mm
LG1	5 mm
SW1	7 mm
Z	9 mm

### Contact to Schmalz

J. Schmalz GmbH | Johannes-Schmalz-Straße, 72293 Glatten, Deutschland | +49 7443 2403-102 | [customercenter@schmalz.de](mailto:customercenter@schmalz.de)

## Technical Data

Attribute	Value
Suction force	5.2 N
Pull-off force	12.1 N
Volume	2.298 cm <sup>3</sup>
Curve radius (min) (convex)	30 mm
Internal hose diameter (recom.)	2 mm
Size	20
Number of folds	2.5
Suction cup material	High temp material HT1
Material hardness	60 °Sh
Weight	3.3 g
Product family	FSG

### Note:

- Suction force: The specified suction forces are theoretical values at a vacuum of -0.6 bar and with a smooth, dry workpiece surface - they do not include a safety factor
- Pull-off force: The pull-off force of the versions made of natural rubber is reduced by about 40%
- Hose diameter: The recommended hose diameter refers to a hose length of approx. 2 m

## Spare Parts

### Contact to Schmalz



**SA-NIP N016 M5-AG DN250**

Part no. 10.01.06.00123

Suction cup connection nipple

Nipple: N 016

Thread G1: M5-M

Overall length: 16 mm

Fitting length: 5 mm

Nominal size: 2,50 mm

Material: Aluminium



**FG 20 HT1-60 N016**

Part no. 10.01.06.01253

Bellows suction cup (round) for very uneven workpieces

Size: 20

Suction cup material:

High temp material HT1

Material hardness: 60 °Sh

Number of folds: 2.5

Material property: imprint-free

**Accessories**



**FD 16 120**

Part no. 10.01.06.02565

Filter disc

External diameter D: 16 mm

Filter pore size: 120 µm

for: Bellows suction pad

Size: FG20/FGA20



**SPI 21 PEEK**

Part no. 10.01.06.03285

Insert disc for preventing film from being drawn in

Size: 21

Material: Polyetheretherketon

Application: FG20/FGA22