

# Bellows suction cup (round)

<https://www.schmalz.com/10.01.06.00013>



## FSG 18 SI-55 G1/8-IG

Part no.: 10.01.06.00013

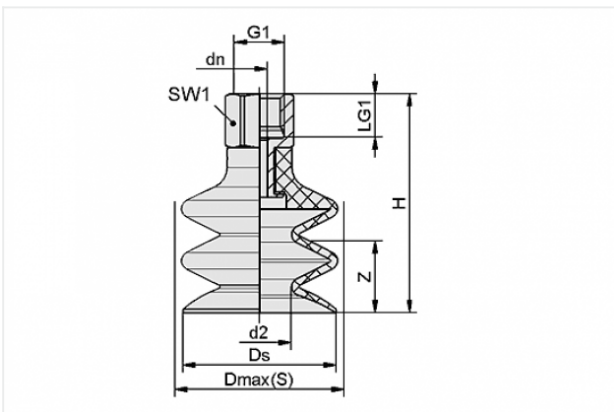
Homepage > Vacuum Technology for Automation > Vacuum Components > Vacuum Suction Cups > Bellows Suction Cups (Round) > Bellows Suction Cups FSG (2.5 Folds) > FSG 18 SI-55 G1/8-IG

### Bellows suction cup (round) for very uneven workpieces



Size: 18  
Suction cup material: Silicone SI  
Material hardness: 55 °Sh  
Material characteristics:  
FDA-compatible  
Nipple material: Aluminium  
Vacuum connection: G1/8-F  
Number of folds: 2.5

### Design Data



| Attribute | Value |
|-----------|-------|
|-----------|-------|

|    |      |
|----|------|
| d2 | 8 mm |
|----|------|

|    |        |
|----|--------|
| dn | 3.5 mm |
|----|--------|

|         |       |
|---------|-------|
| Dmax(S) | 19 mm |
|---------|-------|

|    |         |
|----|---------|
| Ds | 17.2 mm |
|----|---------|

|    |         |
|----|---------|
| G1 | G1/8"-F |
|----|---------|

|   |         |
|---|---------|
| H | 34.6 mm |
|---|---------|

|     |      |
|-----|------|
| LG1 | 8 mm |
|-----|------|

|     |       |
|-----|-------|
| SW1 | 14 mm |
|-----|-------|

|   |      |
|---|------|
| Z | 9 mm |
|---|------|

### Contact to Schmalz

J. Schmalz GmbH | Johannes-Schmalz-Straße, 72293 Glatten, Deutschland | +49 7443 2403-102 | [customercenter@schmalz.de](mailto:customercenter@schmalz.de)

## Technical Data

| Attribute                       | Value                |
|---------------------------------|----------------------|
| Suction force                   | 3.02 N               |
| Pull-off force                  | 8.5 N                |
| Volume                          | 1.35 cm <sup>3</sup> |
| Curve radius (min) (convex)     | 20 mm                |
| Internal hose diameter (recom.) | 4 mm                 |
| Size                            | 18                   |
| Number of folds                 | 2.5                  |
| Suction cup material            | Silicone SI          |
| Material hardness               | 55 °Sh               |
| Weight                          | 6 g                  |
| Product family                  | FSG                  |

### Note:

- Suction force: The specified suction forces are theoretical values at a vacuum of -0.6 bar and with a smooth, dry workpiece surface - they do not include a safety factor
- Pull-off force: The pull-off force of the versions made of natural rubber is reduced by about 40%
- Hose diameter: The recommended hose diameter refers to a hose length of approx. 2 m

---

## Spare Parts

### Contact to Schmalz



**SA-NIP N016 G1/8-IG DN350**

Part no. 10.01.06.05731

Suction cup connection nipple

Nipple: N 016

Thread G1: G1/8-F

Overall length: 18.5 mm

Fitting length: 12 mm

Nominal size: 3,50 mm

Material: Aluminium



**FG 18 SI-55 N016**

Part no. 10.01.06.00058

Bellows suction cup (round) for very uneven workpieces

Size: 18

Suction cup material: Silicone SI

Material hardness: 55 °Sh

Material characteristics:

FDA-compatible

Number of folds: 2.5

**Accessories**



**SPI 17 PEEK**

Part no. 10.01.06.03283

Insert disc for preventing film from being drawn in

Size: 17

Material: Polyetheretherketon

Application: FG18/FGA16