

# Bellows suction cup (round)

<https://www.schmalz.com/10.01.06.00040>



## FSG 18 SI-55 G1/8-AG

Part no.: 10.01.06.00040

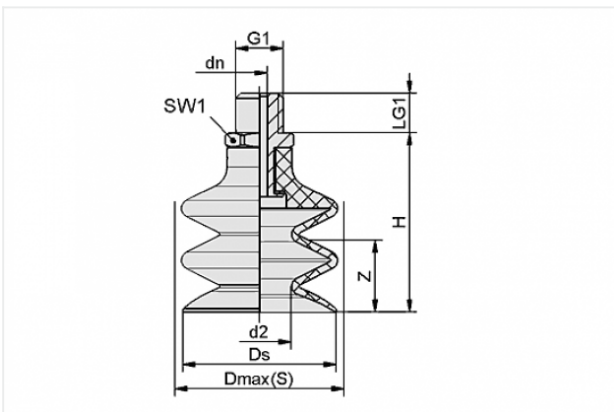
Homepage > Vacuum Technology for Automation > Vacuum Components > Vacuum Suction Cups > Bellows Suction Cups (Round) > Bellows Suction Cups FSG (2.5 Folds) > FSG 18 SI-55 G1/8-AG

### Bellows suction cup (round) for very uneven workpieces



Size: 18  
Suction cup material: Silicone SI  
Material hardness: 55 °Sh  
Material characteristics:  
FDA-compatible  
Nipple material: Aluminium  
Vacuum connection: G1/8-M  
Number of folds: 2.5

### Design Data



Attribute	Value
-----------	-------

d2	8 mm
----	------

dn	3.5 mm
----	--------

Dmax(S)	19 mm
---------	-------

Ds	17.2 mm
----	---------

G1	G1/8"-M
----	---------

H	28.6 mm
---	---------

LG1	7.5 mm
-----	--------

SW1	14 mm
-----	-------

Z	9 mm
---	------

### Contact to Schmalz

J. Schmalz GmbH | Johannes-Schmalz-Straße, 72293 Glatten, Deutschland | +49 7443 2403-102 | [customercenter@schmalz.de](mailto:customercenter@schmalz.de)

## Technical Data

Attribute	Value
Suction force	3.02 N
Pull-off force	8.5 N
Volume	1.35 cm <sup>3</sup>
Curve radius (min) (convex)	20 mm
Internal hose diameter (recom.)	4 mm
Size	18
Number of folds	2.5
Suction cup material	Silicone SI
Material hardness	55 °Sh
Weight	5.6 g
Product family	FSG

### Note:

- Suction force: The specified suction forces are theoretical values at a vacuum of -0.6 bar and with a smooth, dry workpiece surface - they do not include a safety factor
- Pull-off force: The pull-off force of the versions made of natural rubber is reduced by about 40%
- Hose diameter: The recommended hose diameter refers to a hose length of approx. 2 m

---

## Spare Parts

### Contact to Schmalz



**SA-NIP N016 G1/8-AG DN350**

Part no. 10.01.06.05735

Suction cup connection nipple

Nipple: N 016

Thread G1: G1/8-M

Overall length: 20 mm

Fitting length: 6 mm

Nominal size: 3,50 mm

Material: Aluminium



**FG 18 SI-55 N016**

Part no. 10.01.06.00058

Bellows suction cup (round) for very uneven workpieces

Size: 18

Suction cup material: Silicone SI

Material hardness: 55 °Sh

Material characteristics:

FDA-compatible

Number of folds: 2.5

## Accessories



**SPI 17 PEEK**

Part no. 10.01.06.03283

Insert disc for preventing film from being drawn in

Size: 17

Material: Polyetheretherketon

Application: FG18/FGA16