

# Bellows suction cup (round)

<https://www.schmalz.com/10.01.06.00025>



## FSG 14 NBR-55 M5-AG

Part no.: 10.01.06.00025

Homepage > Vacuum Technology for Automation > Vacuum Components > Vacuum Suction Cups > Bellows Suction Cups (Round) > Bellows

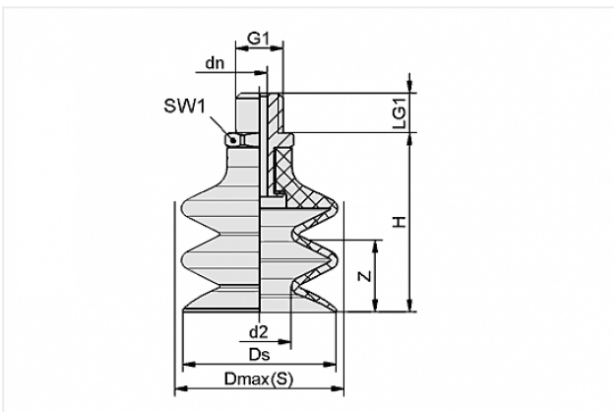
Suction Cups FSG (2.5 Folds) > FSG 14 NBR-55 M5-AG

## Bellows suction cup (round) for very uneven workpieces



Size: 14  
Suction cup material:  
Nitrile rubber NBR  
Material hardness: 55 °Sh  
Nipple material: Aluminium  
Vacuum connection: M5-M  
Number of folds: 2.5

## Design Data



Attribute	Value
-----------	-------

d2	5.4 mm
dn	2.5 mm
Dmax(S)	15.5 mm
Ds	14.5 mm
G1	M5-M
H	27.8 mm
LG1	5 mm
SW1	7 mm
Z	9 mm

## Contact to Schmalz

J. Schmalz GmbH | Johannes-Schmalz-Straße, 72293 Glatten, Deutschland | +49 7443 2403-102 | [customercenter@schmalz.de](mailto:customercenter@schmalz.de)

## Technical Data

Attribute	Value
Suction force	1.37 N
Pull-off force	5.7 N
Volume	0.975 cm <sup>3</sup>
Curve radius (min) (convex)	15 mm
Internal hose diameter (recom.)	2 mm
Size	14
Number of folds	2.5
Suction cup material	Nitrile rubber NBR
Material hardness	55 °Sh
Weight	2.6 g
Product family	FSG

### Note:

- Suction force: The specified suction forces are theoretical values at a vacuum of -0.6 bar and with a smooth, dry workpiece surface - they do not include a safety factor
- Pull-off force: The pull-off force of the versions made of natural rubber is reduced by about 40%
- Hose diameter: The recommended hose diameter refers to a hose length of approx. 2 m

## Spare Parts

### Contact to Schmalz



**SA-NIP N016 M5-AG DN250**

Part no. 10.01.06.00123

Suction cup connection nipple

Nipple: N 016

Thread G1: M5-M

Overall length: 16 mm

Fitting length: 5 mm

Nominal size: 2,50 mm

Material: Aluminium



**FG 14 NBR-55 N016**

Part no. 10.01.06.00052

Bellows suction cup (round) for very uneven workpieces

Size: 14

Suction cup material:

Nitrile rubber NBR

Material hardness: 55 °Sh

Number of folds: 2.5

**Accessories**



**SPI 14 PEEK**

Part no. 10.01.06.03282

Insert disc for preventing film from being drawn in

Size: 14

Material: Polyetheretherketon

Application: FG12/FG14/FGA14