

# Bellows suction cup (round)

<https://www.schmalz.com/10.01.06.00434>



## FSG 14 NK-45 G1/8-IG

Part no.: 10.01.06.00434

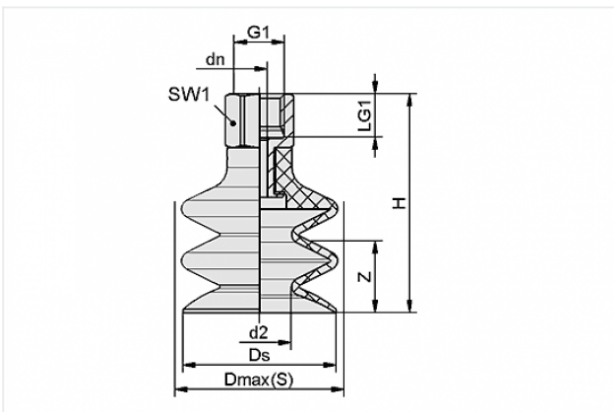
Homepage > Vacuum Technology for Automation > Vacuum Components > Vacuum Suction Cups > Bellows Suction Cups (Round) > Bellows Suction Cups FSG (2.5 Folds) > FSG 14 NK-45 G1/8-IG

### Bellows suction cup (round) for very uneven workpieces



Size: 14  
Suction cup material:  
Natural Rubber NK  
Material hardness: 45 °Sh  
Nipple material: Aluminium  
Vacuum connection: G1/8-F  
Number of folds: 2.5

### Design Data



Attribute	Value
-----------	-------

d2	5.4 mm
----	--------

dn	3.5 mm
----	--------

Dmax(S)	15.5 mm
---------	---------

Ds	14.5 mm
----	---------

G1	G1/8"-F
----	---------

H	34.8 mm
---	---------

LG1	8.5 mm
-----	--------

SW1	14 mm
-----	-------

Z	9 mm
---	------

### Contact to Schmalz

J. Schmalz GmbH | Johannes-Schmalz-Straße, 72293 Glatten, Deutschland | +49 7443 2403-102 | [customercenter@schmalz.de](mailto:customercenter@schmalz.de)

## Technical Data

Attribute	Value
Suction force	1.37 N
Pull-off force	5.7 N
Volume	0.975 cm <sup>3</sup>
Curve radius (min) (convex)	15 mm
Internal hose diameter (recom.)	4 mm
Size	14
Number of folds	2.5
Suction cup material	Natural Rubber NK
Material hardness	45 °Sh
Weight	5.7 g
Product family	FSG

### Note:

- Suction force: The specified suction forces are theoretical values at a vacuum of -0.6 bar and with a smooth, dry workpiece surface - they do not include a safety factor
- Pull-off force: The pull-off force of the versions made of natural rubber is reduced by about 40%
- Hose diameter: The recommended hose diameter refers to a hose length of approx. 2 m

---

## Spare Parts

### Contact to Schmalz



**SA-NIP N016 G1/8-IG DN350**

Part no. 10.01.06.05731

Suction cup connection nipple

Nipple: N 016

Thread G1: G1/8-F

Overall length: 18.5 mm

Fitting length: 12 mm

Nominal size: 3,50 mm

Material: Aluminium



**FG 14 NK-45 N016**

Part no. 10.01.06.00453

Bellows suction cup (round) for very uneven workpieces

Size: 14

Suction cup material:

Natural Rubber NK

Material hardness: 45 °Sh

Number of folds: 2.5

**Accessories**



**SPI 14 PEEK**

Part no. 10.01.06.03282

Insert disc for preventing film from being drawn in

Size: 14

Material: Polyetheretherketon

Application: FG12/FG14/FGA14