

Bellows suction cup (round)

<https://www.schmalz.com/10.01.06.00565>



FSG 12 NBR-55 M5-AG

Part no.: 10.01.06.00565

Homepage > Vacuum Technology for Automation > Vacuum Components > Vacuum Suction Cups > Bellows Suction Cups (Round) > Bellows

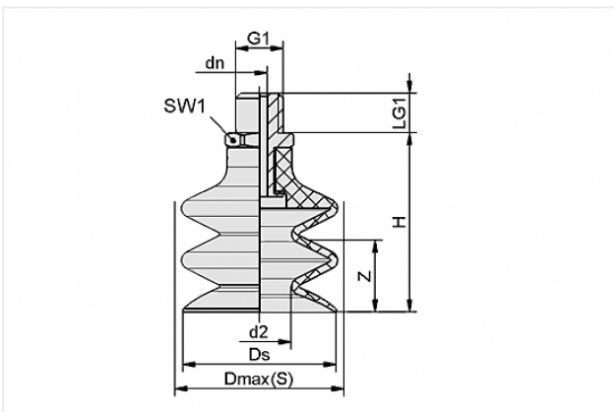
Suction Cups FSG (2.5 Folds) > FSG 12 NBR-55 M5-AG

Bellows suction cup (round) for very uneven workpieces



Size: 12
Suction cup material:
Nitrile rubber NBR
Material hardness: 55 °Sh
Nipple material: Aluminium
Vacuum connection: M5-M
Number of folds: 2.5

Design Data



Attribute	Value
-----------	-------

d2	5 mm
dn	2.5 mm
Dmax(S)	13 mm
Ds	12 mm
G1	M5-M
H	26 mm
LG1	5 mm
SW1	7 mm
Z	7 mm

Contact to Schmalz

J. Schmalz GmbH | Johannes-Schmalz-Straße, 72293 Glatten, Deutschland | +49 7443 2403-102 | customercenter@schmalz.de

Technical Data

Attribute	Value
Suction force	1.18 N
Pull-off force	3.5 N
Volume	0.6 cm ³
Curve radius (min) (convex)	12.5 mm
Internal hose diameter (recom.)	2 mm
Size	12
Number of folds	2.5
Suction cup material	Nitrile rubber NBR
Material hardness	55 °Sh
Weight	2.2 g
Product family	FSG

Note:

- Suction force: The specified suction forces are theoretical values at a vacuum of -0.6 bar and with a smooth, dry workpiece surface - they do not include a safety factor
- Pull-off force: The pull-off force of the versions made of natural rubber is reduced by about 40%
- Hose diameter: The recommended hose diameter refers to a hose length of approx. 2 m

Spare Parts

Contact to Schmalz



SA-NIP N016 M5-AG DN250

Part no. 10.01.06.00123

Suction cup connection nipple

Nipple: N 016

Thread G1: M5-M

Overall length: 16 mm

Fitting length: 5 mm

Nominal size: 2,50 mm

Material: Aluminium



FG 12 NBR-55 N016

Part no. 10.01.06.00557

Bellows suction cup (round) for very uneven workpieces

Size: 12

Suction cup material:

Nitrile rubber NBR

Material hardness: 55 °Sh

Number of folds: 2.5

Accessories



SPI 14 PEEK

Part no. 10.01.06.03282

Insert disc for preventing film from being drawn in

Size: 14

Material: Polyetheretherketon

Application: FG12/FG14/FGA14