

# Bellows suction cup (round)

<https://www.schmalz.com/10.01.06.00560>



## FSG 12 SI-55 G1/8-IG

Part no.: 10.01.06.00560

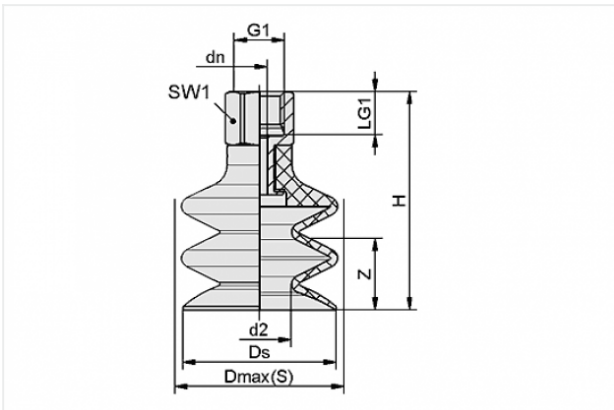
Homepage > Vacuum Technology for Automation > Vacuum Components > Vacuum Suction Cups > FSG 12 SI-55 G1/8-IG

### Bellows suction cup (round) for very uneven workpieces



Size: 12  
Suction cup material: Silicone SI  
Material hardness: 55 °Sh  
Material characteristics:  
FDA-compatible  
Nipple material: Aluminium  
Vacuum connection: G1/8-F  
Number of folds: 2.5

### Design Data



Attribute	Value
d2	5 mm
dn	3.5 mm
Dmax(S)	13 mm
Ds	12 mm
G1	G1/8"-F
H	33 mm
LG1	8 mm
SW1	14 mm
Z	7 mm

### Technical Data

#### Contact to Schmalz

J. Schmalz GmbH | Johannes-Schmalz-Straße, 72293 Glatten, Deutschland | +49 7443 2403-102 | [customercenter@schmalz.de](mailto:customercenter@schmalz.de)

Attribute	Value
Suction force	1.18 N
Pull-off force	3.5 N
Volume	0.6 cm <sup>3</sup>
Curve radius (min) (convex)	12.5 mm
Internal hose diameter (recom.)	4 mm
Size	12
Number of folds	2.5
Suction cup material	Silicone SI
Material hardness	55 °Sh
Weight	4.9 g
Product family	FSG

## Spare Parts



### SA-NIP N016 G1/8-IG DN350

Part no. 10.01.06.05731

Suction cup connection nipple

Nipple: N 016

Thread G1: G1/8-F

Overall length: 18.5 mm

Fitting length: 12 mm

Nominal size: 3,50 mm

Material: Aluminium



**FG 12 SI-55 N016**

Part no. 10.01.06.00549

Bellows suction cup (round) for very uneven workpieces

Size: 12

Suction cup material: Silicone SI

Material hardness: 55 °Sh

Material characteristics:

FDA-compatible

Number of folds: 2.5

**Accessories**



**SPI 14 PEEK**

Part no. 10.01.06.03282

Insert disc for preventing film from being drawn in

Size: 14

Material: Polyetheretherketon

Application: FG12/FG14/FGA14