

# Bellows suction cup (round)

<https://www.schmalz.com/10.01.06.00564>



## FSG 12 NK-45 G1/8-AG

Part no.: 10.01.06.00564

Homepage > Vacuum Technology for Automation > Vacuum Components > Vacuum Suction Cups > Bellows Suction Cups (Round) > Bellows

Suction Cups FSG (2.5 Folds) > FSG 12 NK-45 G1/8-AG

## Bellows suction cup (round) for very uneven workpieces



Size: 12

Suction cup material:

Natural Rubber NK

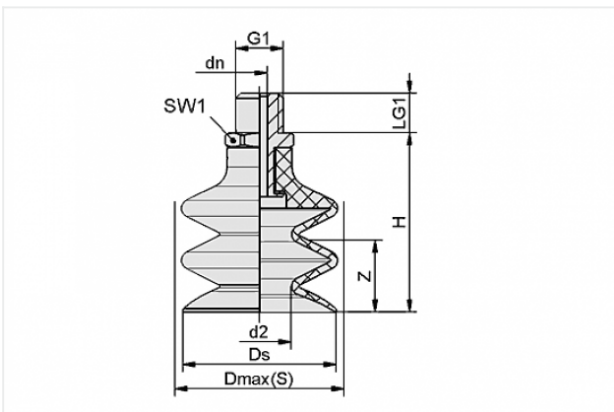
Material hardness: 45 °Sh

Nipple material: Aluminium

Vacuum connection: G1/8-M

Number of folds: 2.5

## Design Data



Attribute	Value
-----------	-------

d2	5 mm
----	------

dn	3.5 mm
----	--------

Dmax(S)	13 mm
---------	-------

Ds	12 mm
----	-------

G1	G1/8"-M
----	---------

H	27 mm
---	-------

LG1	7.5 mm
-----	--------

SW1	14 mm
-----	-------

Z	7 mm
---	------

## Contact to Schmalz

J. Schmalz GmbH | Johannes-Schmalz-Straße, 72293 Glatten, Deutschland | +49 7443 2403-102 | [customercenter@schmalz.de](mailto:customercenter@schmalz.de)

## Technical Data

Attribute	Value
Suction force	1.18 N
Pull-off force	3.5 N
Volume	0.6 cm <sup>3</sup>
Curve radius (min) (convex)	12.5 mm
Internal hose diameter (recom.)	4 mm
Size	12
Number of folds	2.5
Suction cup material	Natural Rubber NK
Material hardness	45 °Sh
Weight	4.9 g
Product family	FSG

### Note:

- Suction force: The specified suction forces are theoretical values at a vacuum of -0.6 bar and with a smooth, dry workpiece surface - they do not include a safety factor
- Pull-off force: The pull-off force of the versions made of natural rubber is reduced by about 40%
- Hose diameter: The recommended hose diameter refers to a hose length of approx. 2 m

---

## Spare Parts



**SA-NIP N016 G1/8-AG DN350**

Part no. 10.01.06.05735

Suction cup connection nipple

Nipple: N 016

Thread G1: G1/8-M

Overall length: 20 mm

Fitting length: 6 mm

Nominal size: 3,50 mm

Material: Aluminium



**FG 12 NK-45 N016**

Part no. 10.01.06.00558

Bellows suction cup (round) for very uneven workpieces

Size: 12

Suction cup material:

Natural Rubber NK

Material hardness: 45 °Sh

Number of folds: 2.5

## Accessories



**SPI 14 PEEK**

Part no. 10.01.06.03282

Insert disc for preventing film from being drawn in

Size: 14

Material: Polyetheretherketon

Application: FG12/FG14/FGA14