

Bellows suction cup (round)

<https://www.schmalz.com/10.01.06.01237>



FSG 7 HT1-60 M5-AG

Part no.: 10.01.06.01237

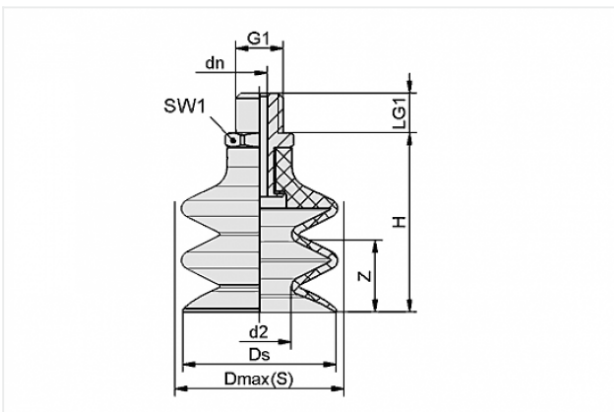
Homepage > Vacuum Technology for Automation > Vacuum Components > Vacuum Suction Cups > Bellows Suction Cups (Round) > Bellows Suction Cups FSG (2.5 Folds) > FSG 7 HT1-60 M5-AG

Bellows suction cup (round) for very uneven workpieces



Size: 7
Suction cup material:
High temp material HT1
Material hardness: 60 °Sh
Material property: imprint-free
Nipple material: Aluminium
Vacuum connection: M5-M
Number of folds: 2.5

Design Data



Attribute	Value
-----------	-------

d2	1.8 mm
----	--------

dn	2.5 mm
----	--------

Dmax(S)	9 mm
---------	------

Ds	5.9 mm
----	--------

G1	M5-M
----	------

H	19 mm
---	-------

LG1	5 mm
-----	------

SW1	7 mm
-----	------

Z	3 mm
---	------

Contact to Schmalz

J. Schmalz GmbH | Johannes-Schmalz-Straße, 72293 Glatten, Deutschland | +49 7443 2403-102 | customercenter@schmalz.de

Technical Data

Attribute	Value
Suction force	0.15 N
Pull-off force	0.9 N
Volume	0.043 cm ³
Curve radius (min) (convex)	7.5 mm
Internal hose diameter (recom.)	2 mm
Size	7
Number of folds	2.5
Suction cup material	High temp material HT1
Material hardness	60 °Sh
Weight	1.6 g
Product family	FSG

Note:

- Suction force: The specified suction forces are theoretical values at a vacuum of -0.6 bar and with a smooth, dry workpiece surface - they do not include a safety factor
- Pull-off force: The pull-off force of the versions made of natural rubber is reduced by about 40%
- Hose diameter: The recommended hose diameter refers to a hose length of approx. 2 m

Spare Parts

Contact to Schmalz



SA-NIP N016 M5-AG DN250

Part no. 10.01.06.00123

Suction cup connection nipple

Nipple: N 016

Thread G1: M5-M

Overall length: 16 mm

Fitting length: 5 mm

Nominal size: 2,50 mm

Material: Aluminium



FG 7 HT1-60 N016

Part no. 10.01.06.01251

Bellows suction cup (round) for very uneven workpieces

Size: 7

Suction cup material:

High temp material HT1

Material hardness: 60 °Sh

Number of folds: 2.5

Material property: imprint-free