

Bellows suction cup (round)

<https://www.schmalz.com/10.01.06.01236>



FSG 7 HT1-60 G1/8-AG

Part no.: 10.01.06.01236

Homepage > Vacuum Technology for Automation > Vacuum Components > Vacuum Suction Cups > Bellows Suction Cups (Round) > Bellows

Suction Cups FSG (2.5 Folds) > FSG 7 HT1-60 G1/8-AG

Bellows suction cup (round) for very uneven workpieces



Size: 7

Suction cup material:

High temp material HT1

Material hardness: 60 °Sh

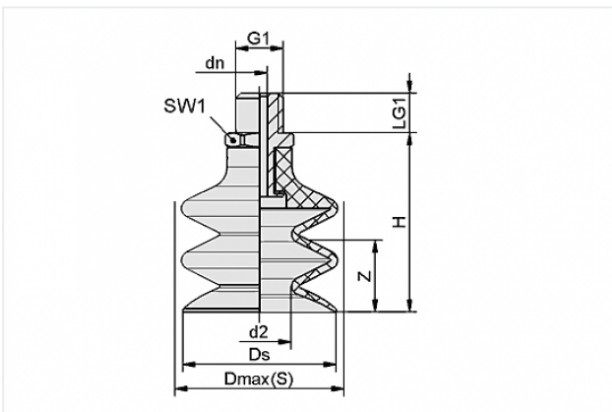
Material property: imprint-free

Nipple material: Aluminium

Vacuum connection: G1/8-M

Number of folds: 2.5

Design Data



Attribute	Value
-----------	-------

d2	1.8 mm
----	--------

dn	3.5 mm
----	--------

Dmax(S)	9 mm
---------	------

Ds	5.9 mm
----	--------

G1	G1/8"-M
----	---------

H	20 mm
---	-------

LG1	7.5 mm
-----	--------

SW1	14 mm
-----	-------

Z	3 mm
---	------

Contact to Schmalz

J. Schmalz GmbH | Johannes-Schmalz-Straße, 72293 Glatten, Deutschland | +49 7443 2403-102 | customercenter@schmalz.de

Technical Data

Attribute	Value
Suction force	0.15 N
Pull-off force	0.9 N
Volume	0.043 cm ³
Curve radius (min) (convex)	7.5 mm
Internal hose diameter (recom.)	4 mm
Size	7
Number of folds	2.5
Suction cup material	High temp material HT1
Material hardness	60 °Sh
Weight	4.3 g
Product family	FSG

Note:

- Suction force: The specified suction forces are theoretical values at a vacuum of -0.6 bar and with a smooth, dry workpiece surface - they do not include a safety factor
- Pull-off force: The pull-off force of the versions made of natural rubber is reduced by about 40%
- Hose diameter: The recommended hose diameter refers to a hose length of approx. 2 m

Spare Parts

Contact to Schmalz



SA-NIP N016 G1/8-AG DN350

Part no. 10.01.06.05735

Suction cup connection nipple

Nipple: N 016

Thread G1: G1/8-M

Overall length: 20 mm

Fitting length: 6 mm

Nominal size: 3,50 mm

Material: Aluminium



FG 7 HT1-60 N016

Part no. 10.01.06.01251

Bellows suction cup (round) for very uneven workpieces

Size: 7

Suction cup material:

High temp material HT1

Material hardness: 60 °Sh

Number of folds: 2.5

Material property: imprint-free