

Bellows suction cup (round)

<https://www.schmalz.com/10.01.06.00664>



FSG 5 SI-55 M5-IG

Part no.: 10.01.06.00664

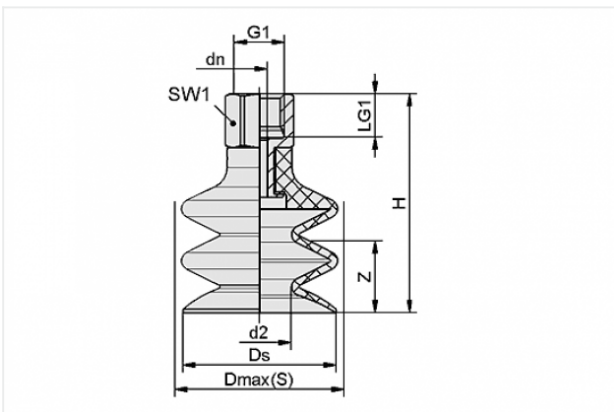
Homepage > Vacuum Technology for Automation > Vacuum Components > Vacuum Suction Cups > Bellows Suction Cups (Round) > Bellows Suction Cups FSG (2.5 Folds) > FSG 5 SI-55 M5-IG

Bellows suction cup (round) for very uneven workpieces



Size: 5
Suction cup material: Silicone SI
Material hardness: 55 °Sh
Material characteristics:
FDA-compatible
Nipple material: Aluminium
Vacuum connection: M5-F
Number of folds: 2.5

Design Data



Attribute	Value
-----------	-------

d2	2.6 mm
----	--------

dn	2 mm
----	------

Dmax(S)	7 mm
---------	------

Ds	5 mm
----	------

G1	M5-F
----	------

H	24 mm
---	-------

LG1	5.5 mm
-----	--------

SW1	8 mm
-----	------

Z	2 mm
---	------

Contact to Schmalz

J. Schmalz GmbH | Johannes-Schmalz-Straße, 72293 Glatten, Deutschland | +49 7443 2403-102 | customercenter@schmalz.de

Technical Data

Attribute	Value
Suction force	0.32 N
Pull-off force	0.8 N
Volume	0.033 cm ³
Curve radius (min) (convex)	7.5 mm
Internal hose diameter (recom.)	2 mm
Size	5
Number of folds	2.5
Suction cup material	Silicone SI
Material hardness	55 °Sh
Weight	1.7 g
Product family	FSG

Note:

- Suction force: The specified suction forces are theoretical values at a vacuum of -0.6 bar and with a smooth, dry workpiece surface - they do not include a safety factor
- Pull-off force: The pull-off force of the versions made of natural rubber is reduced by about 40%
- Hose diameter: The recommended hose diameter refers to a hose length of approx. 2 m

Spare Parts

Contact to Schmalz



SA-NIP N017 M5-IG DN200

Part no. 10.01.06.00313

Suction cup connection nipple

Nipple: N 017

Thread G1: M5-F

Overall length: 17 mm

Fitting length: 10 mm

Nominal size: 2.00 mm

Material: Aluminium



FG 5 SI-55 N017

Part no. 10.01.06.00642

Bellows suction cup (round) for very uneven workpieces

Size: 5

Suction cup material: Silicone SI

Material hardness: 55 °Sh

Material characteristics:

FDA-compatible

Number of folds: 2.5

Accessories



SPI 6 PEEK

Part no. 10.01.06.03279

Insert disc for preventing film from being drawn in

Size: 6

Material: Polyetheretherketon

Application: FG5/FGA6