

Bellows suction cup (round)

<https://www.schmalz.com/10.01.06.01235>



FSG 5 HT1-60 M5-AG

Part no.: 10.01.06.01235

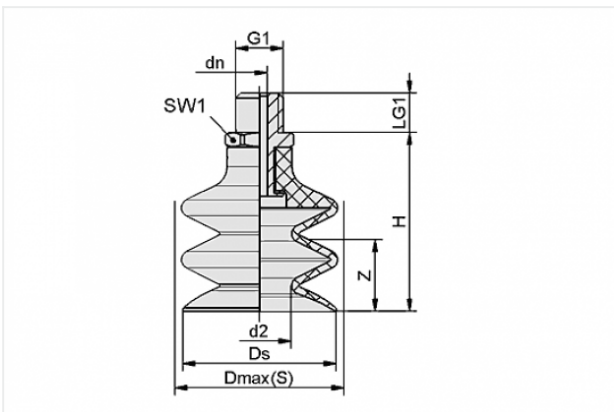
Homepage > Vacuum Technology for Automation > Vacuum Components > Vacuum Suction Cups > FSG 5 HT1-60 M5-AG

Bellows suction cup (round) for very uneven workpieces



Size: 5
Suction cup material:
High temp material HT1
Material hardness: 60 °Sh
Material property: imprint-free
Nipple material: Aluminium
Vacuum connection: M5-M
Number of folds: 2.5

Design Data



Attribute	Value
-----------	-------

d2	2.6 mm
----	--------

dn	2 mm
----	------

Dmax(S)	7 mm
---------	------

Ds	5 mm
----	------

G1	M5-M
----	------

H	19 mm
---	-------

LG1	5 mm
-----	------

SW1	8 mm
-----	------

Z	2 mm
---	------

Technical Data

Contact to Schmalz

J. Schmalz GmbH | Johannes-Schmalz-Straße, 72293 Glatten, Deutschland | +49 7443 2403-102 | customercenter@schmalz.de

Attribute	Value
Suction force	0.32 N
Pull-off force	0.8 N
Volume	0.033 cm ³
Curve radius (min) (convex)	7.5 mm
Internal hose diameter (recom.)	2 mm
Size	5
Number of folds	2.5
Suction cup material	High temp material HT1
Material hardness	60 °Sh
Weight	1.5 g
Product family	FSG

Spare Parts



SA-NIP N017 M5-AG DN200

Part no. 10.01.06.00314

Suction cup connection nipple

Nipple: N 017

Thread G1: M5-M

Overall length: 17 mm

Fitting length: 5 mm

Nominal size: 2.00 mm

Material: Aluminium

**FG 5 HT1-60 N017**

Part no. 10.01.06.01250

Bellows suction cup (round) for very uneven workpieces

Size: 5

Suction cup material:

High temp material HT1

Material hardness: 60 °Sh

Number of folds: 2.5

Material property: imprint-free

Accessories**SPI 6 PEEK**

Part no. 10.01.06.03279

Insert disc for preventing film from being drawn in

Size: 6

Material: Polyetheretherketon

Application: FG5/FGA6