

# Bellows suction cup (round)

<https://www.schmalz.com/10.01.06.03718>



## FSG 3 SI-55 M5-AG

Part no.: 10.01.06.03718

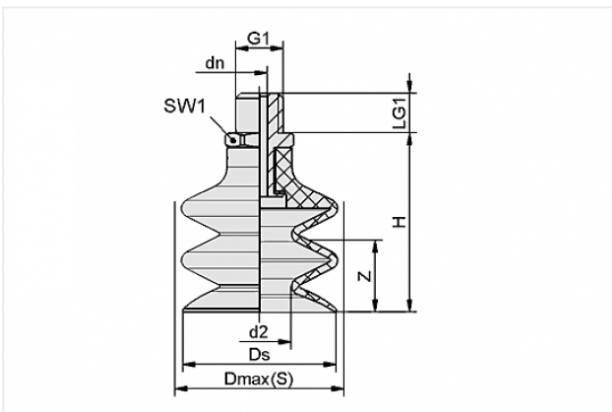
Homepage > Vacuum Technology for Automation > Vacuum Components > Vacuum Suction Cups > Bellows Suction Cups (Round) > Bellows Suction Cups FSG (2.5 Folds) > FSG 3 SI-55 M5-AG

### Bellows suction cup (round) for very uneven workpieces



Size: 3  
Suction cup material: Silicone SI  
Material hardness: 55 °Sh  
Material property: non-marking  
Nipple material: Aluminium  
Vacuum connection: M5-M  
Number of folds: 2.5

### Design Data



Attribute	Value
-----------	-------

d2	1.8 mm
----	--------

dn	0.7 mm
----	--------

Dmax(S)	4 mm
---------	------

Ds	3 mm
----	------

G1	M5-M
----	------

H	10.2 mm
---	---------

LG1	4.5 mm
-----	--------

SW1	7 mm
-----	------

Z	1.1 mm
---	--------

### Contact to Schmalz

J. Schmalz GmbH | Johannes-Schmalz-Straße, 72293 Glatten, Deutschland | +49 7443 2403-102 | [customercenter@schmalz.de](mailto:customercenter@schmalz.de)

## Technical Data

Attribute	Value
Suction force	0.15 N
Pull-off force	0.4 N
Volume	0.022 cm <sup>3</sup>
Curve radius (min) (convex)	4 mm
Internal hose diameter (recom.)	2 mm
Size	3
Number of folds	2.5
Suction cup material	Silicone SI
Material hardness	55 °Sh
Weight	0.7 g
Product family	FSG

### Note:

- Suction force: The specified suction forces are theoretical values at a vacuum of -0.6 bar and with a smooth, dry workpiece surface - they do not include a safety factor
- Pull-off force: The pull-off force of the versions made of natural rubber is reduced by about 40%
- Hose diameter: The recommended hose diameter refers to a hose length of approx. 2 m

---

## Spare Parts

### Contact to Schmalz



**SA-NIP N055 M5-AG DN70**  
Part no. 10.01.01.13084  
Suction cup connection nipple  
Nipple: N 055  
Thread G1: M5-M  
Overall length: 10.7 mm  
Fitting length: 3.5 mm  
Nominal size: 0.70 mm  
Material: Aluminium



**FG 3 SI-55 N055**  
Part no. 10.01.06.03705  
Bellows suction cup (round) for very uneven workpieces  
Size: 3  
Suction cup material: Silicone SI  
Material hardness: 55 °Sh  
Material characteristics:  
FDA-compatible  
Number of folds: 2.5