

Bellows suction cup (round)

<https://www.schmalz.com/10.01.06.03717>



FSG 3 NBR-55 M5-AG

Part no.: 10.01.06.03717

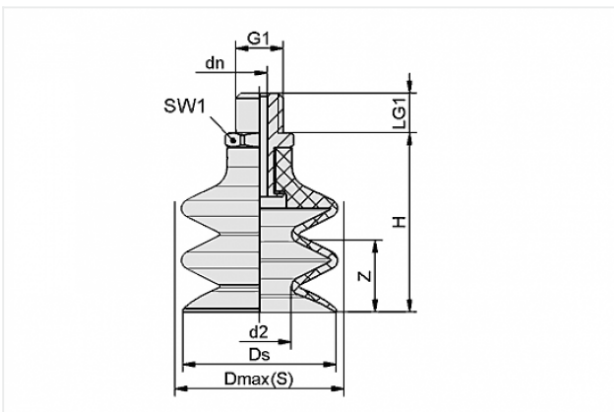
Homepage > Vacuum Technology for Automation > Vacuum Components > Vacuum Suction Cups > Bellows Suction Cups (Round) > Bellows Suction Cups FSG (2.5 Folds) > FSG 3 NBR-55 M5-AG

Bellows suction cup (round) for very uneven workpieces



Size: 3
Suction cup material:
Nitrile rubber NBR
Material hardness: 55 °Sh
Material property: non-marking
Nipple material: Aluminium
Vacuum connection: M5-M
Number of folds: 2.5

Design Data



Attribute Value

d2 1.8 mm

dn 0.7 mm

Dmax(S) 4 mm

Ds 3 mm

G1 M5-M

H 10.2 mm

LG1 4.5 mm

SW1 7 mm

Z 1.1 mm

Contact to Schmalz

J. Schmalz GmbH | Johannes-Schmalz-Straße, 72293 Glatten, Deutschland | +49 7443 2403-102 | customercenter@schmalz.de

Technical Data

Attribute	Value
Suction force	0.15 N
Pull-off force	0.4 N
Volume	0.022 cm ³
Curve radius (min) (convex)	4 mm
Internal hose diameter (recom.)	2 mm
Size	3
Number of folds	2.5
Suction cup material	Nitrile rubber NBR
Material hardness	55 °Sh
Weight	0.7 g
Product family	FSG

Note:

- Suction force: The specified suction forces are theoretical values at a vacuum of -0.6 bar and with a smooth, dry workpiece surface - they do not include a safety factor
- Pull-off force: The pull-off force of the versions made of natural rubber is reduced by about 40%
- Hose diameter: The recommended hose diameter refers to a hose length of approx. 2 m

Spare Parts

Contact to Schmalz



SA-NIP N055 M5-AG DN70
Part no. 10.01.01.13084
Suction cup connection nipple
Nipple: N 055
Thread G1: M5-M
Overall length: 10.7 mm
Fitting length: 3.5 mm
Nominal size: 0.70 mm
Material: Aluminium



FG 3 NBR-55 N055
Part no. 10.01.06.03704
Bellows suction cup (round) for very uneven workpieces
Size: 3
Suction cup material:
Nitrile rubber NBR
Material hardness: 55 °Sh
Number of folds: 2.5