

Bellows suction cup (round)

<https://www.schmalz.com/10.01.06.03712>



FSG 3 NBR-55 M3-AG

Part no.: 10.01.06.03712

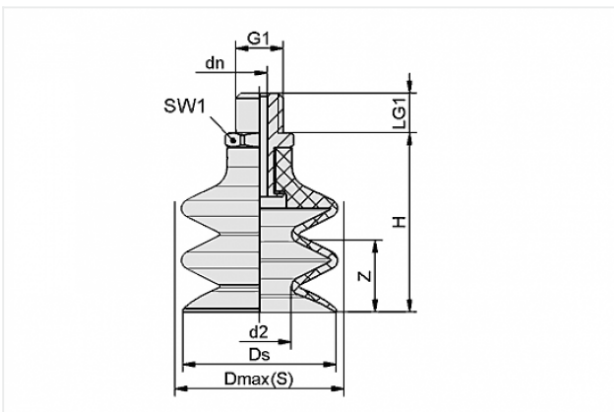
Homepage > Vacuum Technology for Automation > Vacuum Components > Vacuum Suction Cups > Bellows Suction Cups (Round) > Bellows Suction Cups FSG (2.5 Folds) > FSG 3 NBR-55 M3-AG

Bellows suction cup (round) for very uneven workpieces



Size: 3
Suction cup material:
Nitrile rubber NBR
Material hardness: 55 °Sh
Material property: non-marking
Nipple material: Aluminium
Vacuum connection: M3-M
Number of folds: 2.5

Design Data



Attribute	Value
-----------	-------

d2	1.8 mm
----	--------

dn	1 mm
----	------

Dmax(S)	4 mm
---------	------

Ds	3 mm
----	------

G1	M3-M
----	------

H	8.7 mm
---	--------

LG1	3 mm
-----	------

SW1	5 mm
-----	------

Z	1.1 mm
---	--------

Contact to Schmalz

J. Schmalz GmbH | Johannes-Schmalz-Straße, 72293 Glatten, Deutschland | +49 7443 2403-102 | customercenter@schmalz.de

Technical Data

Attribute	Value
Suction force	0.15 N
Pull-off force	0.4 N
Volume	0.022 cm ³
Curve radius (min) (convex)	4 mm
Internal hose diameter (recom.)	2 mm
Size	3
Number of folds	2.5
Suction cup material	Nitrile rubber NBR
Material hardness	55 °Sh
Weight	0.3 g
Product family	FSG

Note:

- Suction force: The specified suction forces are theoretical values at a vacuum of -0.6 bar and with a smooth, dry workpiece surface - they do not include a safety factor
- Pull-off force: The pull-off force of the versions made of natural rubber is reduced by about 40%
- Hose diameter: The recommended hose diameter refers to a hose length of approx. 2 m

Spare Parts

Contact to Schmalz



SA-NIP N055 M3-AG DN100

Part no. 10.01.01.00313

Suction cup connection nipple

Nipple: N 055

Thread G1: M3-M

Overall length: 7.7 mm

Fitting length: 2 mm

Nominal size: 1.00 mm

Material: Aluminium



FG 3 NBR-55 N055

Part no. 10.01.06.03704

Bellows suction cup (round) for very uneven workpieces

Size: 3

Suction cup material:

Nitrile rubber NBR

Material hardness: 55 °Sh

Number of folds: 2.5