

Bellows suction cup (round)

<https://www.schmalz.com/10.01.06.02933>



FSGPL 120 NBR-55 G1/2-IG

Part no.: 10.01.06.02933

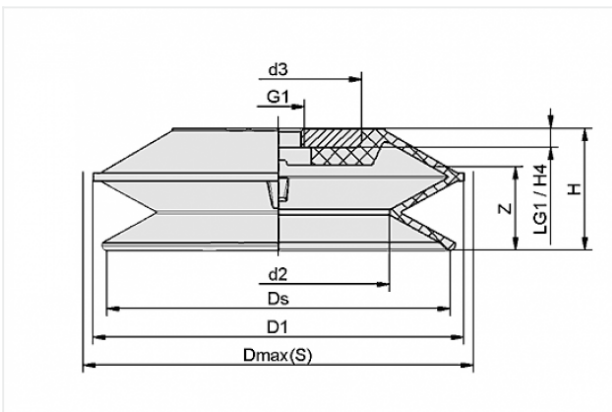
Homepage > Vacuum Technology for Automation > Vacuum Components > Vacuum Suction Cups > Bellows Suction Cups (Round) > Bellows Suction Cups FSGPL (1.5 Folds) > FSGPL 120 NBR-55 G1/2-IG

Bellows suction cup (round) for large, heavy and uneven workpieces



Size: 120
Suction cup material:
Nitrile rubber NBR
Material hardness: 55 °Sh
Vacuum connection: G1/2-F
Nipple material: Steel
Number of folds: 1.5

Design Data



Attribute	Value
-----------	-------

d2	79.3 mm
----	---------

d3	69.4 mm
----	---------

D1	127.8 mm
----	----------

Dmax(S)	135 mm
---------	--------

Ds	118.2 mm
----	----------

G1	G1/2"-F
----	---------

H	51 mm
---	-------

H4	8 mm
----	------

LG1	8 mm
-----	------

Z	35.7 mm
---	---------

Contact to Schmalz

J. Schmalz GmbH | Johannes-Schmalz-Straße, 72293 Glatten, Deutschland | +49 7443 2403-102 | customercenter@schmalz.de

Technical Data

Attribute	Value
Suction force	280 N
Pull-off force	400 N
Volume	295.203 cm ³
Curve radius (min) (convex)	150 mm
Internal hose diameter (recom.)	12 mm
Size	120
Suction cup material	Nitrile rubber NBR
Material hardness	55 °Sh
Weight	351 g
Number of folds	1.5
Product family	FSGPL

Note:

- Suction force: The specified suction forces are theoretical values at a vacuum of -0.6 bar and with a smooth, dry workpiece surface - they do not include a safety factor
 - Hose diameter: The recommended hose diameter refers to a hose length of approx. 2 m
-
-