

Bellows suction cup (round)

<https://www.schmalz.com/10.01.06.00117>



FGA 150 SI-70 N010

Part no.: 10.01.06.00117

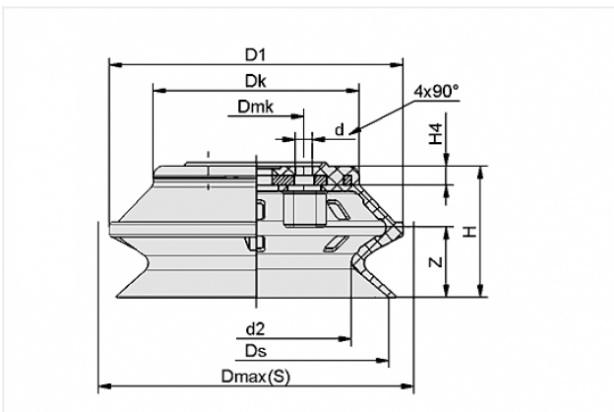
Homepage > Vacuum Technology for Automation > Vacuum Components > Vacuum Suction Cups > Bellows Suction Cups (Round) > FGA 150 SI-70 N010

Bellows suction cup (round) with optimal adaptation to uneven surfaces



Size: 150
Suction cup material: Silicone SI
Material hardness: 70 °Sh
Material characteristics:
FDA-compatible
Number of folds: 1.5

Design Data



Attribute	Value
-----------	-------

d	7 mm
d2	111 mm
D1	168 mm
Dk	120 mm
Dmax(S)	177 mm
D mk	40 mm
Ds	150 mm
H	74 mm
H4	10 mm
Z	37 mm

Contact to Schmalz

J. Schmalz GmbH | Johannes-Schmalz-Straße, 72293 Glatten, Deutschland | +49 7443 2403-102 | customercenter@schmalz.de

Technical Data

Attribute	Value
Number of folds	1.5
Suction force	570 N
Size	150
Suction cup material	Silicone SI
Material hardness	70 °Sh
Weight	678.9 g
Curve radius (min) (convex)	250 mm
Product family	FGA

Accessories



SA-NIP N010 G1/2-IG

Part no. 10.01.01.00796

Suction-pad connection nipple pre-assembly

Nipple: N 010

Thread 1: G1/2-F

Length: 13 mm

for: Flat suction pad PFG